



### Dimensions (measure to the outside of the upstand)

<b>Length (mm)</b>		<b>Width (mm)</b>	
--------------------	--	-------------------	--

- |   |  |   |
|---|--|---|
| <p><b>L W</b><br/>min 600 x 600<br/>max 2400 x 2400</p> |  | <b>Style 1</b><br><input type="checkbox"/>  |
| <p>min 800 x 600<br/>max 3000 x 2400</p>                |  | <b>Style 2</b><br><input type="checkbox"/>  |
| <p>min 1200 x 600<br/>max 4000 x 2400</p>               |  | <b>Style 3</b><br><input type="checkbox"/>  |
| <p>min 2400 x 600<br/>max 6000 x 2400</p>               |  | <b>Style 4</b><br><input type="checkbox"/>  |
| <p>min 3000 x 600<br/>max 6000 x 2400</p>               |  | <b>Style 5</b><br><input type="checkbox"/>  |
| <p>min 1800 x 1800<br/>max 3200 x 3200</p>              |  | <b>Style 6</b><br><input type="checkbox"/>  |
| <p>min 2000 x 1800<br/>max 3400 x 3200</p>              |  | <b>Style 7</b><br><input type="checkbox"/>  |
| <p>min 2000 x 1800<br/>max 4000 x 3200</p>              |  | <b>Style 8</b><br><input type="checkbox"/>  |
| <p>min 3000 x 1800<br/>max 6000 x 3200</p>              |  | <b>Style 9</b><br><input type="checkbox"/>  |
| <p>min 3600 x 1800<br/>max 6000 x 3200</p>              |  | <b>Style 10</b><br><input type="checkbox"/> |

Colour Matt finish	External	Internal
<b>Pure White</b> 9010	<input type="checkbox"/>	<input type="checkbox"/>
<b>Anthracite Grey</b> 7016	<input type="checkbox"/>	<input type="checkbox"/>
<b>Jet Black</b> 9005	<input type="checkbox"/>	<input type="checkbox"/>
<b>Bespoke</b> <small>Subject to minimum order qty. Price on application</small>	_____	_____

Glazing 28mm Tint colour	Standard 4/20/4 1.1 U-value	Laminate 4/18/6.8 1.1 U-value	Thermal 6/16/6 1.0 U-value
<b>Neutral</b>	<input type="checkbox"/>	<input type="checkbox"/>	<input type="checkbox"/>
<b>Blue</b>	<input type="checkbox"/>	<input type="checkbox"/>	<input type="checkbox"/>
<b>Bronze</b>	<input type="checkbox"/>	<input type="checkbox"/>	<input type="checkbox"/>
<b>Aqua</b>	<input type="checkbox"/>	<input type="checkbox"/>	<input type="checkbox"/>
<b>Unglazed</b>	<input type="checkbox"/>	<input type="checkbox"/>	<input type="checkbox"/>



**Smartglass Plus  
Low E with  
Black Warmedge  
Spacer Bar**

To order or request a quote for an S1 aluminium lantern roof please fill in this form and email back to **processing@gardenofeden.co.uk**

QUOTE  ORDER

### Job details

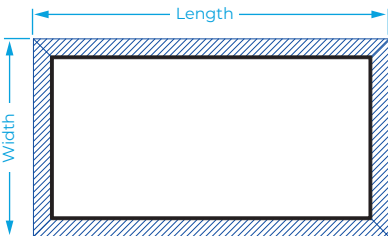
Name \_\_\_\_\_  
Reference \_\_\_\_\_  
Contact number \_\_\_\_\_  
Contact email \_\_\_\_\_  
Delivery address for these items  
\_\_\_\_\_  
\_\_\_\_\_  
\_\_\_\_\_

Preferred delivery date \_\_\_\_\_  
Notes  
\_\_\_\_\_  
\_\_\_\_\_  
\_\_\_\_\_

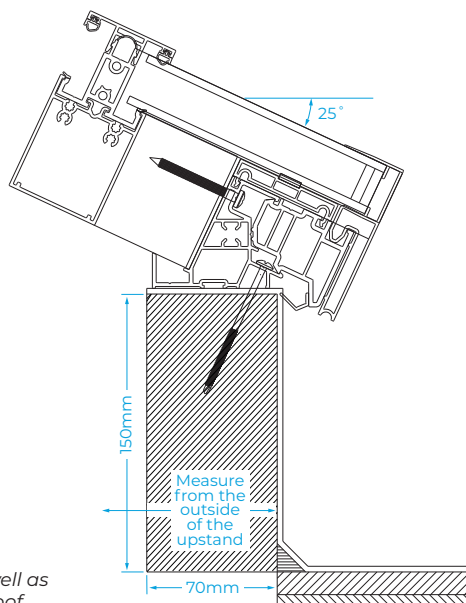
### Your details

Name \_\_\_\_\_  
Company \_\_\_\_\_  
Contact number \_\_\_\_\_  
Contact email \_\_\_\_\_  
Address  
\_\_\_\_\_  
\_\_\_\_\_  
\_\_\_\_\_  
Signature \_\_\_\_\_

- 25° pitch
- 50mm sightlines  
*Rafter, hip, jack rafters and ridge*
- 1.2KN/m<sup>2</sup> snowload  
*Covering the whole of the UK up to 200m altitude.*



The lantern design assumes that the eaves beam is fully supported along all edges by a structural upstand capable of resisting the full vertical (as well as any lateral spread loads) applied by the lantern roof self-weight plus imposed snow/wind loads.



**MINIMUM UPSTAND DIMENSIONS**