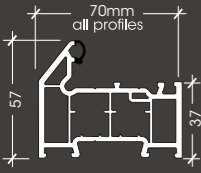
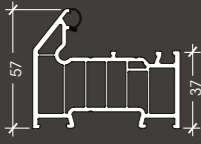
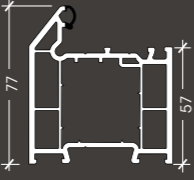
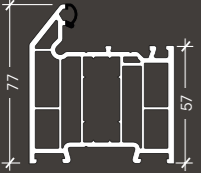
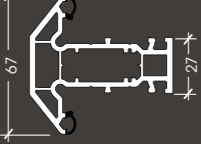

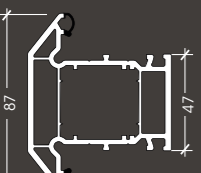
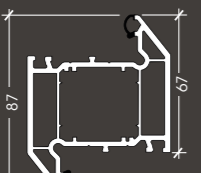
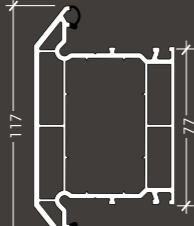
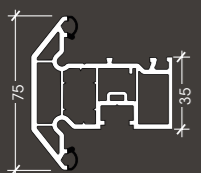
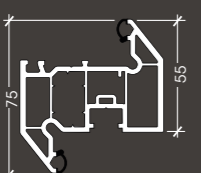
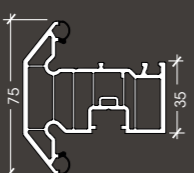
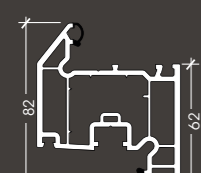
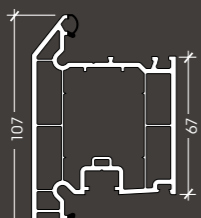
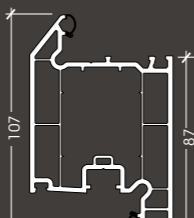
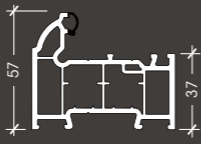
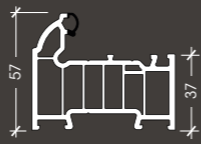
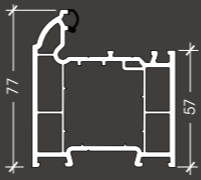
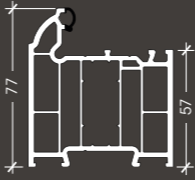
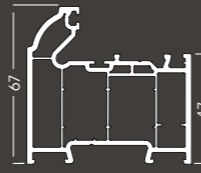


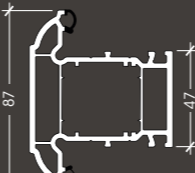
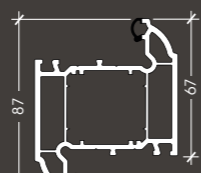
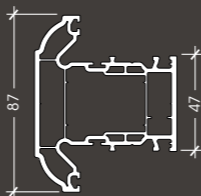
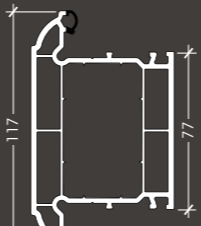
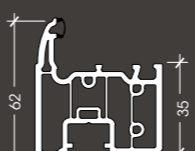
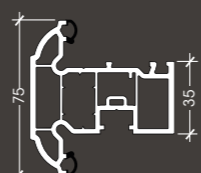
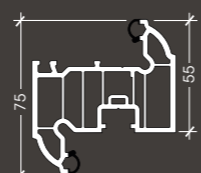
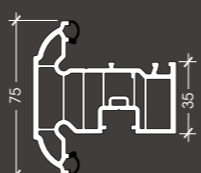
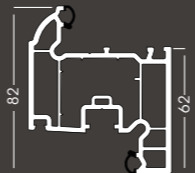
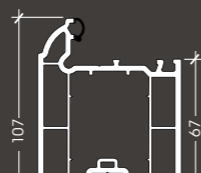
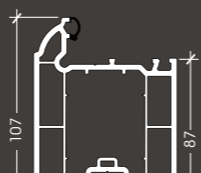



# 70mm Window & Door System

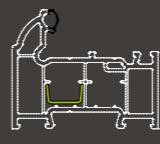
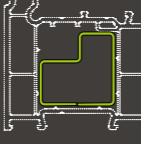
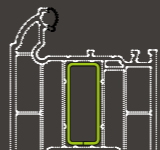
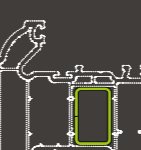
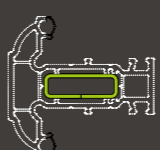
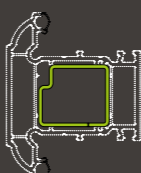
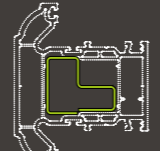
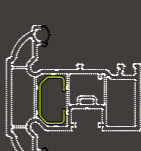
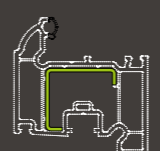
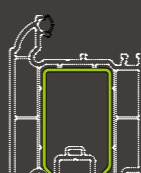
## Chamfered Profiles

 <b>LCW011</b> Main Frame	 <b>LCW012</b> EnergyPlus Main Frame	 <b>LCW016</b> Large Main Frame
 <b>LCW017</b> EnergyPlus Large Main Frame	 <b>LCW021</b> Transom T	 <b>LCW022</b> Transom Z
 <b>LCW026</b> Int. Transom T	 <b>LCW027</b> Int. Transom Z	 <b>LCW029</b> Midrail
 <b>LCW031</b> Sash T	 <b>LCW032</b> Sash Z	 <b>LCW033</b> EnergyPlus Sash T
 <b>LCW035</b> T&T Sash	 <b>SLCW036</b> Door Sash T	 <b>SLCW037</b> Door Sash Z

## Sculptured Profiles

 <b>LSW011</b> Main Frame	 <b>LSW012</b> EnergyPlus Main Frame	 <b>LSW016</b> Large Main Frame	 <b>LSW017</b> EnergyPlus Large Main Frame
 <b>LSW018</b> Composite Door Outer Frame	 <b>LSW021</b> Transom T	 <b>LSW022</b> Transom Z	 <b>LSW026</b> Int. Transom T
 <b>LSW027</b> Int. Transom Z	 <b>LSW028</b> 44mm Comp. Door Transom T	 <b>LSW029</b> Midrail	 <b>LSW030</b> Flush Sash
 <b>LSW031</b> Sash T	 <b>LSW032</b> EnergyPlus Sash Z	 <b>LSW033</b> EnergyPlus Sash T	 <b>LSW035</b> T&T Sash
 <b>LSW036</b> Door Sash T	 <b>LSW037</b> Door Sash Z		

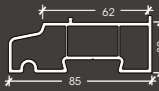
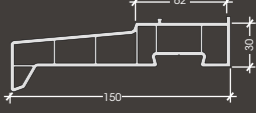

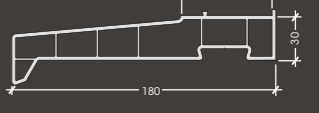
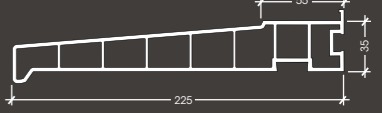
## Steel Reinforcement

 <b>LSR011</b> (use with L#W011)	 <b>LSR016</b> (use with L#W016)
 <b>LSR017</b> (use with L#W017)	 <b>LSR018</b> (use with L#W018)
 <b>LSR0121</b> (use with L#W021/22)	 <b>LSR026</b> (use with L#W026)
 <b>LSR028</b> (use with L#W028)	 <b>LSR031</b> (use with L#W031)
 <b>LSR035</b> (use with L#W035)	 <b>LSR036/37</b> (use with L#W036/37)

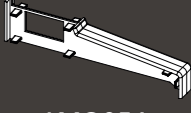
## Alu. Reinforcement

 <b>LAR011</b> (use with L#W011)
 <b>LAR021</b> (use with L#W021/22)
 <b>LAR026</b> (use with L#W026)
 <b>LAR029</b> (use with L#W029)
 <b>LAR031</b> (use with L#W031)







## Cills

 <b>LSL085</b> 85mm Stub Cill
 <b>LSL150</b> 150mm Cill
 <b>LCL165</b> 165mm Cill
 <b>LSL180</b> 180mm Cill
 <b>LSL225</b> 225mm Cill





## Cills Joints

 <b>LMO354</b> In-Line 150mm Cill Joint
 <b>LMO355</b> 135° 150mm Cill Joint
 <b>LMO356</b> 90° 150mm Cill Joint

## Ancillary Gaskets

 <b>LGA401</b> Repair Gasket	 <b>LGA412</b> Flush Sash Button Strip	 <b>LGA418</b> 12mm Brush Pile	 <b>LGA432</b> Flush Sash Brush Pile Seal	 <b>LGA435</b> Bay Pole Nest Seal	 <b>LGA479</b> Comp. Door L.Threshold Seal Carrier Q-Lon	 <b>MBF196</b> 14mm Brush Pile	 <b>LGA197</b> Q-Lon
---	---	---	--	--	---	---	---

## Beads

 <b>LCW041</b> 28mm Chamf. Bead	 <b>LSW041</b> 28mm Sculpt Bead	 <b>LPD083</b> Flush Sash Bead	 <b>LCW042</b> 36mm Bead
--	--	---	---

# Windows and Door System - Ancillaries

## Georgian Bar

 <b>ULI</b> Intermediate Bridging Trim	 <b>CJC2VS</b> Cruciform Joint Cover	 <b>GB2VS</b> Featured Low Level Bar
 <b>ULCC</b> Cruciform Clip	 <b>EP2VS-OVF</b> Featured End Cap	 <b>EP2VS-55</b> Chamfered End Cap
 <b>UL28</b> 28mm Double Sided Clip	<p>Adhesive Tape</p> <b>4943F-16</b> 16mm grey bridging clip tape <b>4943F</b> 40mm grey cruciform tape	

## Head Vent

 <b>LHV30</b> Head Vent	 <b>LHV32</b> Head Vent End Cap
 <b>LHVF</b> Head Vent Foam	
 <b>LHV31</b> Head Vent Channel	

## Mock Sash Horn Kit

  
**LK001/LK002**  
 Mock Sash Horn Kit  
 001 Sculpt/ 002 Chamf

## Ancillary Mouldings

 <b>LMO301</b> Glazing Platform	 <b>LMO302</b> Interlocking Wedges	 <b>LMO303</b> Run Up Ramp	 <b>LMO305</b> Cill Drip End Cap	 <b>LMO311</b> 36mm Glazing Platform	 <b>LMO316</b> Flag Hinge Packer	 <b>LMO321</b> Chamf. French Door End Cap	 <b>LMO322</b> Sculpt. French Door End Cap	 <b>LMO324</b> Flush Sash French Window End Cap
 <b>LMO021</b> PVCu Transom Mech Joint	 <b>LMO357</b> Corner Protector	 <b>LMO371</b> Chamf. Low Thresh. Moulding	 <b>LMO372</b> Sculpt. Low Thresh. Moulding	 <b>LMO275</b> Low Thresh. Tray End Cap	 <b>LEC150</b> 150mm, 165mm & 180mm Cill End Cap	 <b>LEC225</b> 225mm Cill End Cap	 <b>LMO386</b> 85mm Cill End Cap	 <b>LMO011</b> O.Frame Mech Joint Block

## Ancillary PVCu

 <b>LAN101</b> Screw Retainer	 <b>LAN102</b> Glazing Flipper	 <b>LAN103</b> Single Butt Joint	 <b>LAN104</b> Head Drip	 <b>LAN105</b> Cill Drip	 <b>LAN106</b> 20mm Frame Extension
 <b>LAN107</b> Thermal Dam	 <b>LAN116</b> 10mm Frame Extension	 <b>LAN111</b> Cover Strip	 <b>LAN112</b> Small Trim	 <b>LAN113</b> HD Butt Joint Capping	 <b>LAN114</b> Struct. Butt Joint Capping
 <b>LAN118</b> Comp Door Mechanical Joint	 <b>LAN126</b> 50mm Frame Extension	 <b>LAN131</b> Large Trim	 <b>LAN134</b> Bay Pole	 <b>LAN135</b> Bay Pole Nest	 <b>LAN141</b> 20mm rebate add on
 <b>LAN142</b> 35mm rebate add on	 <b>LAN153</b> 90° Corner Post	 <b>LAN171</b> Low Threshold Trim	 <b>LAN160</b> 20mm Georgian Bar	 <b>LAN161</b> 28mm Georgian Bar	 <b>LAN162</b> 20mm Slim Georgian Bar
 <b>LAN165</b> Cill Reinforcing	 <b>LAN180</b> Comp. Door Reinforcing	 <b>LAN911</b> Dog Bone Cover			

## Ancillary Aluminium

 <b>LAN211</b> Std. Butt Joint	 <b>LAN212</b> Med Butt Joint	 <b>LAN213</b> HD Butt Joint
 <b>LAN214</b> Struct. Butt Joint	 <b>LSR911</b> Dog Bone Struct. Joint	 <b>LAN230</b> Flush Sash French Window Adaptor
 <b>LAN231</b> Small Bay Pole	 <b>LAN232</b> Large Bay Pole	 <b>LAN233</b> Bow Pole
 <b>LAN234</b> Bay Pole	 <b>LAN251</b> 135° Corner Joint	 <b>LAN252</b> 150° Corner Joint
 <b>LAN253</b> 90° Corner Joint	 <b>LAN276</b> Sculp. Kick Strip	 <b>LAN291</b> Meeting Style Adaptor

## Ancillary Steel

 <b>LAN301</b> Fixing Cleat	 <b>LAN371</b> Low Thresh Shootbolt Keep	 <b>LAN314</b> Struct. Joint Fixing Cleat	 <b>LAN311</b> Butt Joint Jack	 <b>LAN332</b> Large Bay Pole Jack	 <b>LAN331</b> Small Bay Pole Jack	 <b>LAN353</b> Square Bay Pole Jack
-----------------------------------	--	---	--------------------------------------	--	--	---

## Thresholds

 <b>LAN271</b> Part 'M' Compliant Low Threshold
 <b>LAN272</b> Std Low Threshold
 <b>LAN272T</b> Thermally Broken Std. Low Threshold
 <b>LAN273</b> Threshold Packer
 <b>LAN274</b> Threshold Packer
 <b>LAN252T</b> Low Threshold Tray
 <b>LAN278</b> Low Threshold Half Tray
 <b>LAN279</b> Comp. Door Low Threshold Seal Carrier