



Elevate Installation Guide

Issue 3 – Nov 2019

elevate



Contents

1.0	Introduction
1.1	Tools and Consumables Required
1.2	Kit Components
2.0 – 2.15	Elevate Installation Instructions
3.0	Installation Supplies and Installer Support

1.0 - Introduction

This installation guide has been created to assist in constructing Elevate from a kit format.

To ensure the proper functioning of Elevate, it is imperative that the instructions in this guide are followed in the order shown.

Care of Products

When storing, handling or erecting your Elevate lantern roof kit, please be aware of the following:

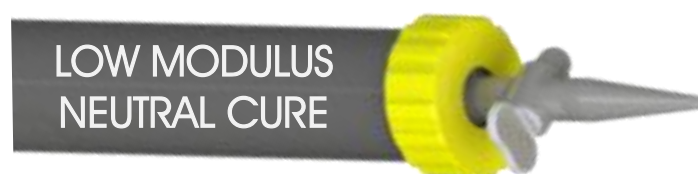
- When unwrapping, take care not to damage products with a knife.
- Always check components before installing.
- PVCu components should not be left out in freezing conditions.
- Do not leave wrapped coloured foiled components in direct heat or sunlight.
- Use care when applying force fitting caps/trims.

Sealing

If sealant is used on your Elevate lantern roof kit, it is essential that the correct sealant is used. The diagrams below show the required sealant-dependent upon the glazing material used.



- Self cleaning glass



- Standard sealed units

For a perfect colour match, use the Liniar Approved range. See www.liniar.co.uk/supplies for details.

Further Assistance

Your Elevate lantern roof kit should include all the information you need – but if you do need to get in touch with any queries, please use the contact details found on the back cover.

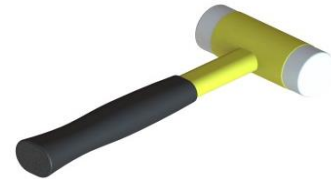
1.1 - Tools and Consumables Required



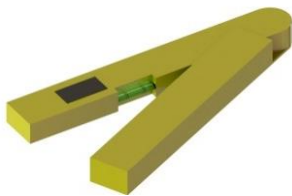
Cordless Drill
With Pozi bits and suitable drills for pilot holes in aluminium



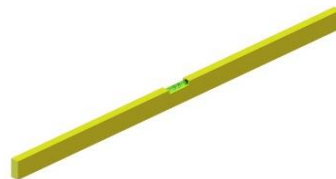
Utility Knife
General use



Glazing Hammer
Fitting trims and caps



Angle Finder
General measuring and checking of angles/pitches



Spirit Level
General level checking



Tape Measure
General measuring and checking



5mm Allen Key
Fitting hip bars to the ridge end boss



Sealant
With silicone gun

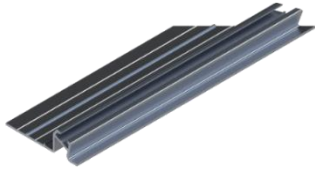


10mm Socket Wrench
Secure all roof bars

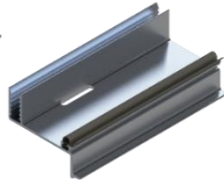
1.2 - Kit Components



Ridge Assembly



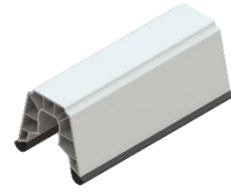
Wall Rail Assembly



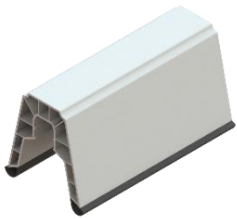
Glazing Retainer



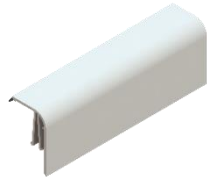
Hip Bar Assembly



Hip EnergyPlus Top Cap
LZPE0042



Ridge EnergyPlus Top Cap
LZPE0044



Glazing Trim
LZPE0028



External End Cover
LZMP0077



Internal End Cover
LZMP0078



Roof Bar End Cap
LZMP0052



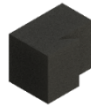
Weather Dam
LZSU0097



90° Horizontal Joining Plate
LZSU0001



Ridge Foam Bung
LZSU0098



Hip Bar Foam Bung
LZSU0099



100mm Wall Rail Cloaking Foam
LZSU0100



M6 x 25 Socket Cap Head Screw
LZFX0025



M6 Flange Nuts
LZFX0018

Transom Bar Components:



Transom EnergyPlus Top Cap
LZPE0041

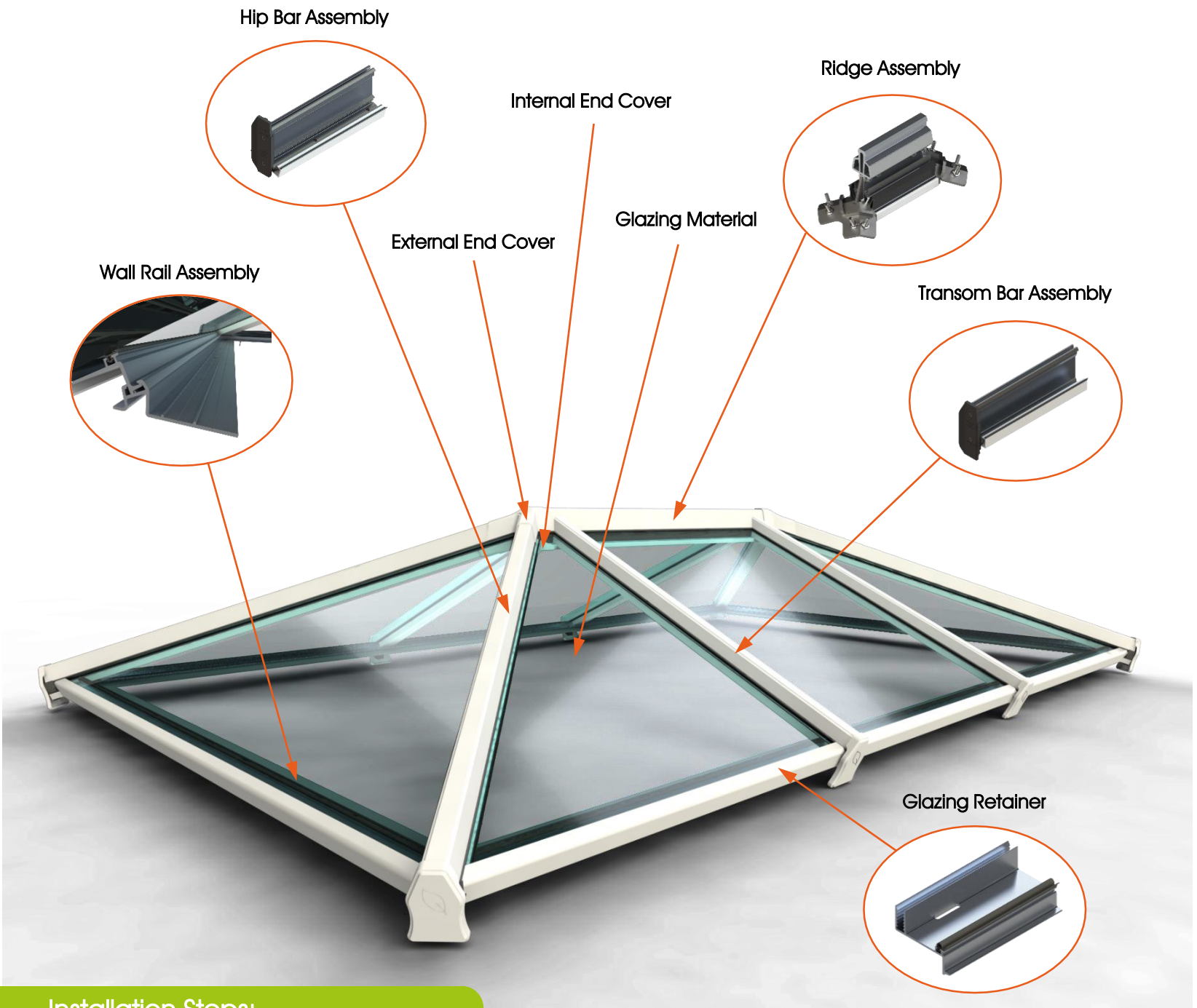


Transom Bar Assembly

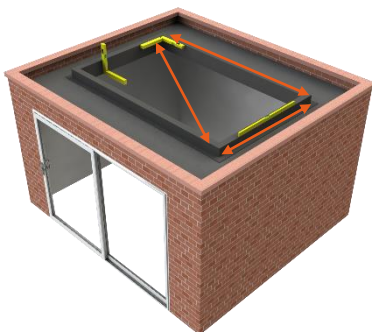


In-Line Horizontal Joining Plate
LZSU0030

2.0 - Elevate Installation Instructions



Installation Steps:



Preparation
Section 2.1, pages 8-9



Wall Rail Assembly
Section 2.2, pages 10-11



**Glazing Retainer and Cloaking
Foam Assembly**
Section 2.3, pages 12-13



Hip Bar Assembly
Section 2.4, pages 14-15



Ridge Assembly
Section 2.5, pages 16-17



Transom Bar Assembly*
Section 2.6, pages 18-19



Internal End Cover Assembly
Section 2.7, pages 20-21



Ridge Foam Assembly
Section 2.8, pages 22-23



Glazing Assembly
Section 2.9, pages 24-25



Hip Bar Foam Assembly
Section 2.10, pages 26-27



Top Cap Assembly
Section 2.11, pages 28-29



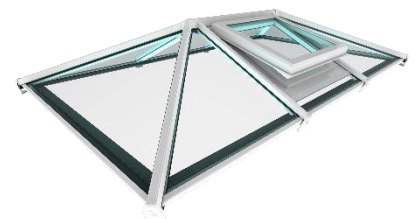
Weather Dam Assembly
Section 2.12, pages 30-31



External End Cover Assembly
Section 2.13, pages 32-33



Roof Bar End Cap Assembly
Section 2.14, pages 34-35

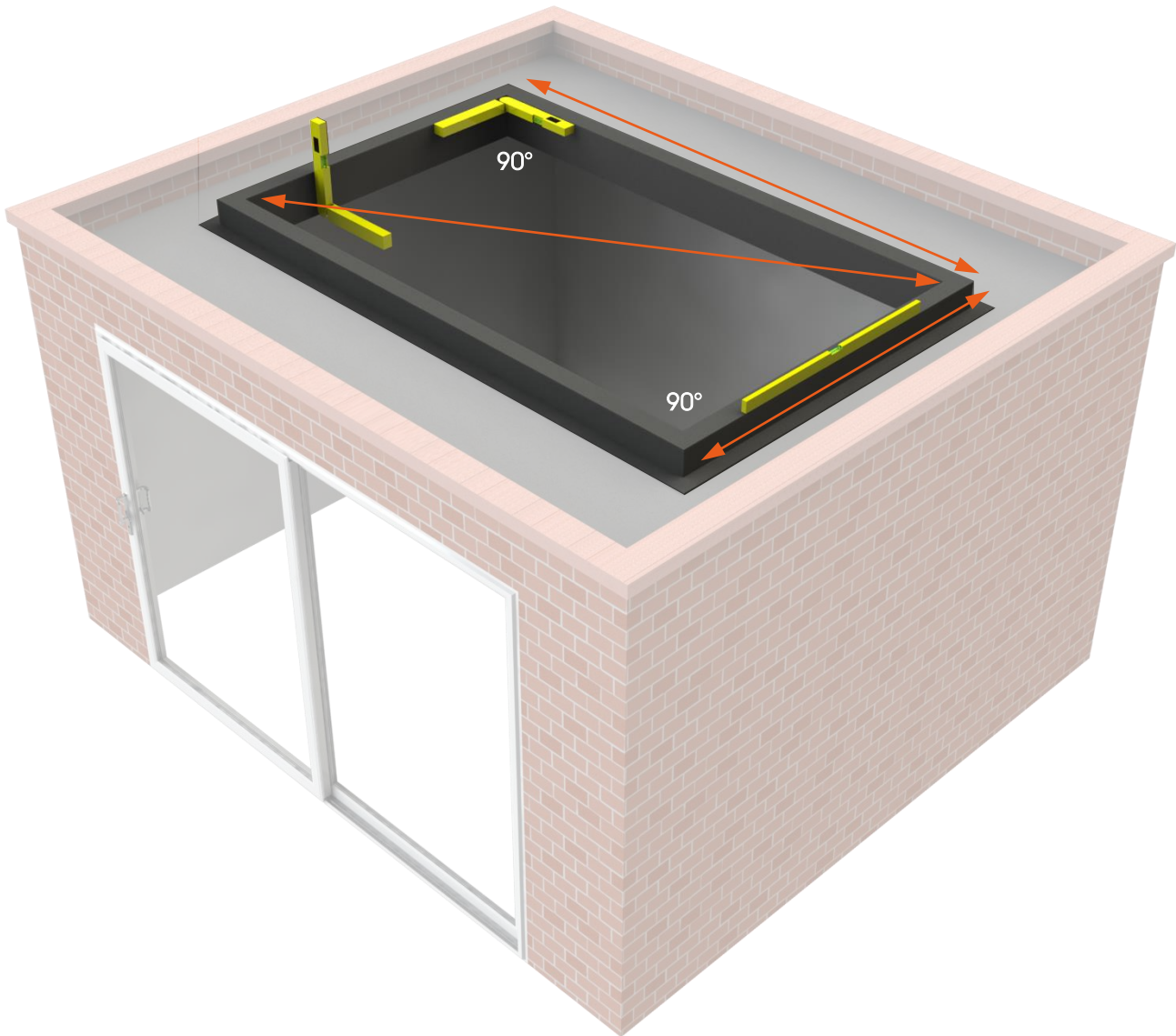


Muntin Bar and Roof Vent Assembly
Section 2.15, pages 36

**Skip this section if your kit excludes transom bars*

2.1 - Preparation

Before Elevate is installed, ensure the framework is fully assessed and all roof components are available. All relevant sizes are shown on the paperwork provided.



Check Bill of Materials

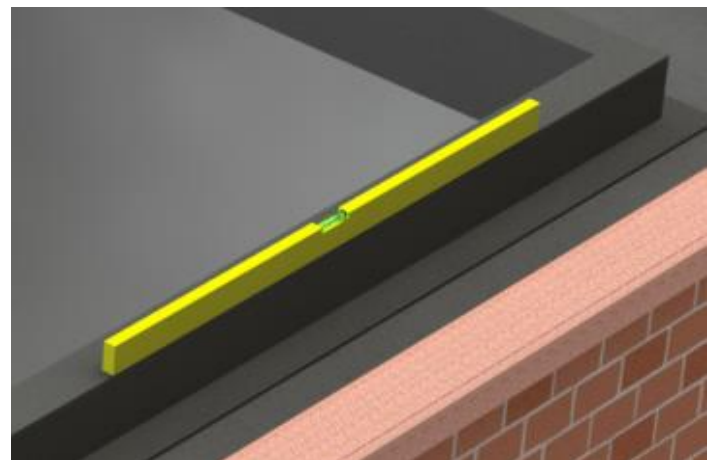
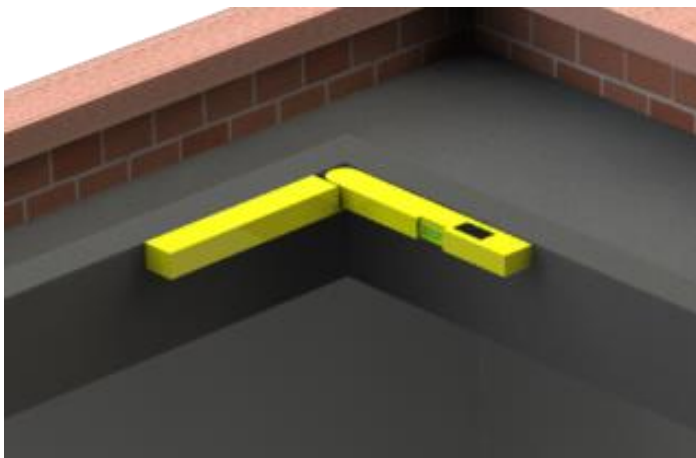
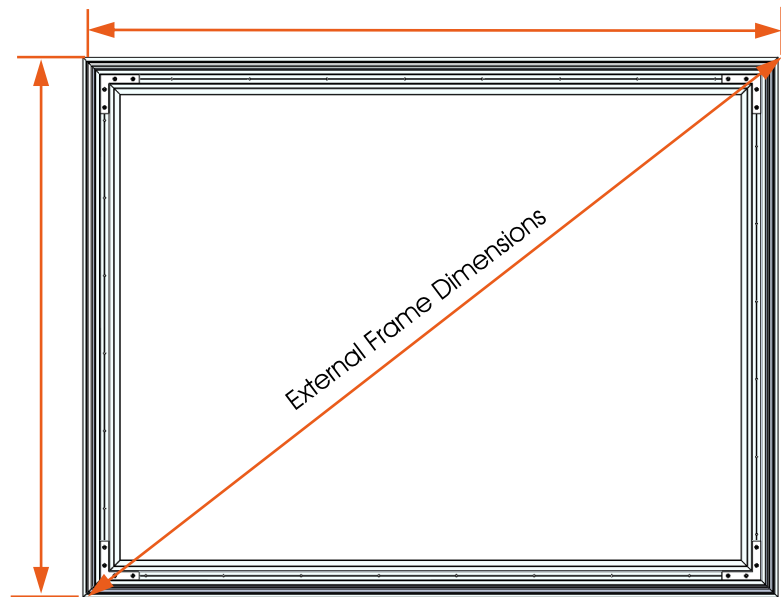
Use the paperwork that came with your Elevate kit to make sure you have received all the components that are listed before you start.

Measure Length, Width and Diagonals of Frame

Measure the roof area you will be working on and check that the frame has been installed square and is the correct size. The external frame dimensions will be provided within the paperwork.

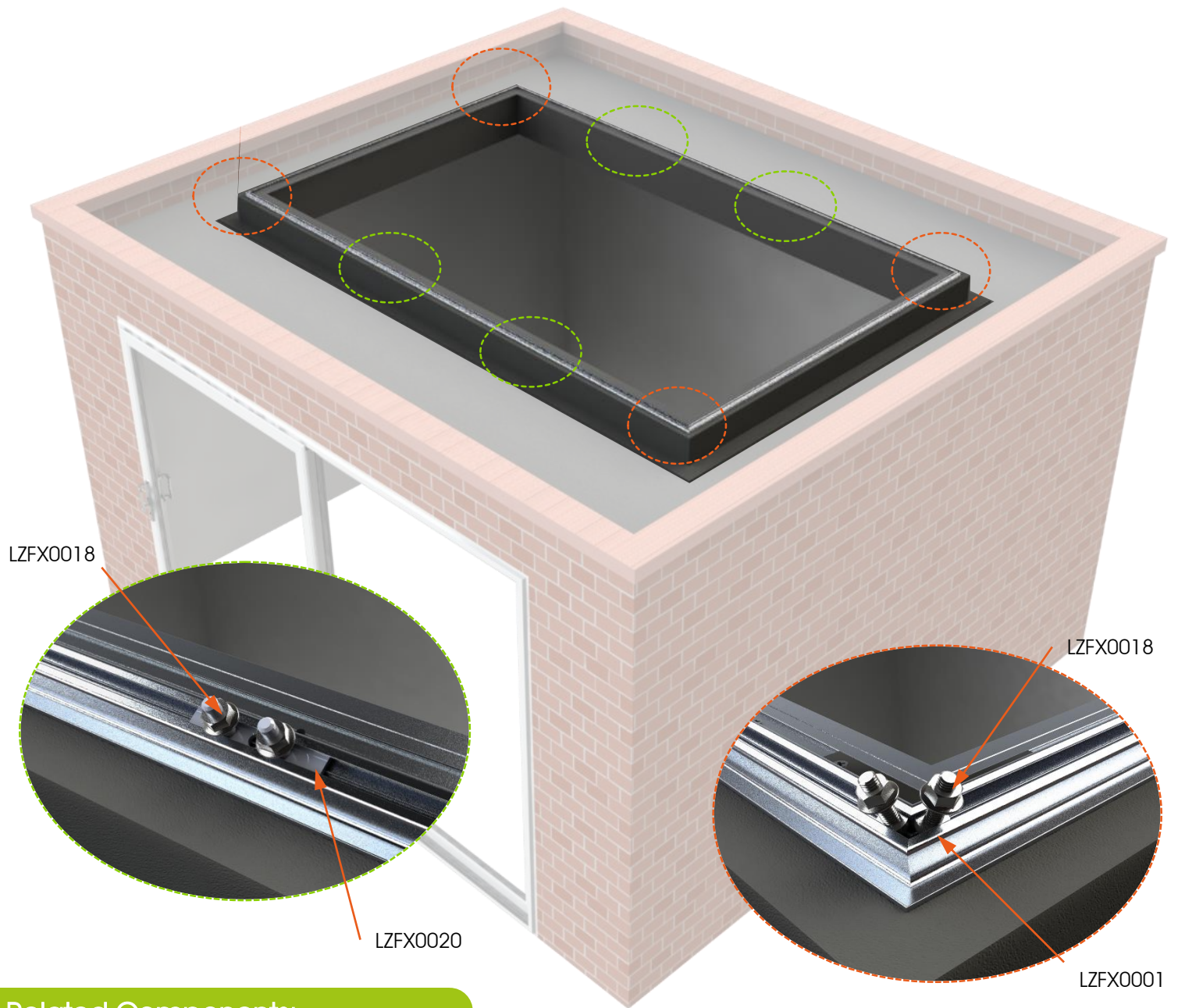
Check Level

Use a spirit level and level up if necessary before the Wall Rails are fitted.

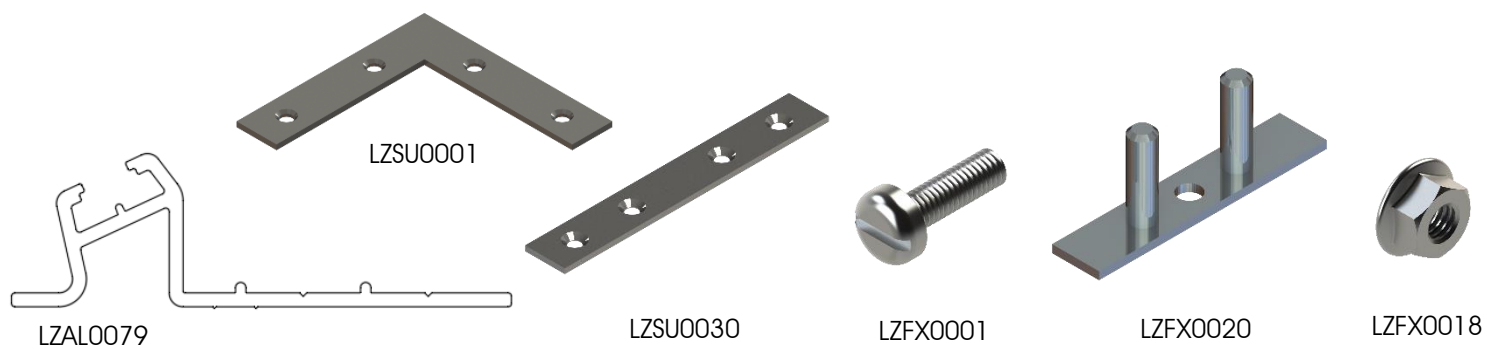


2.2 - Wall Rail Assembly

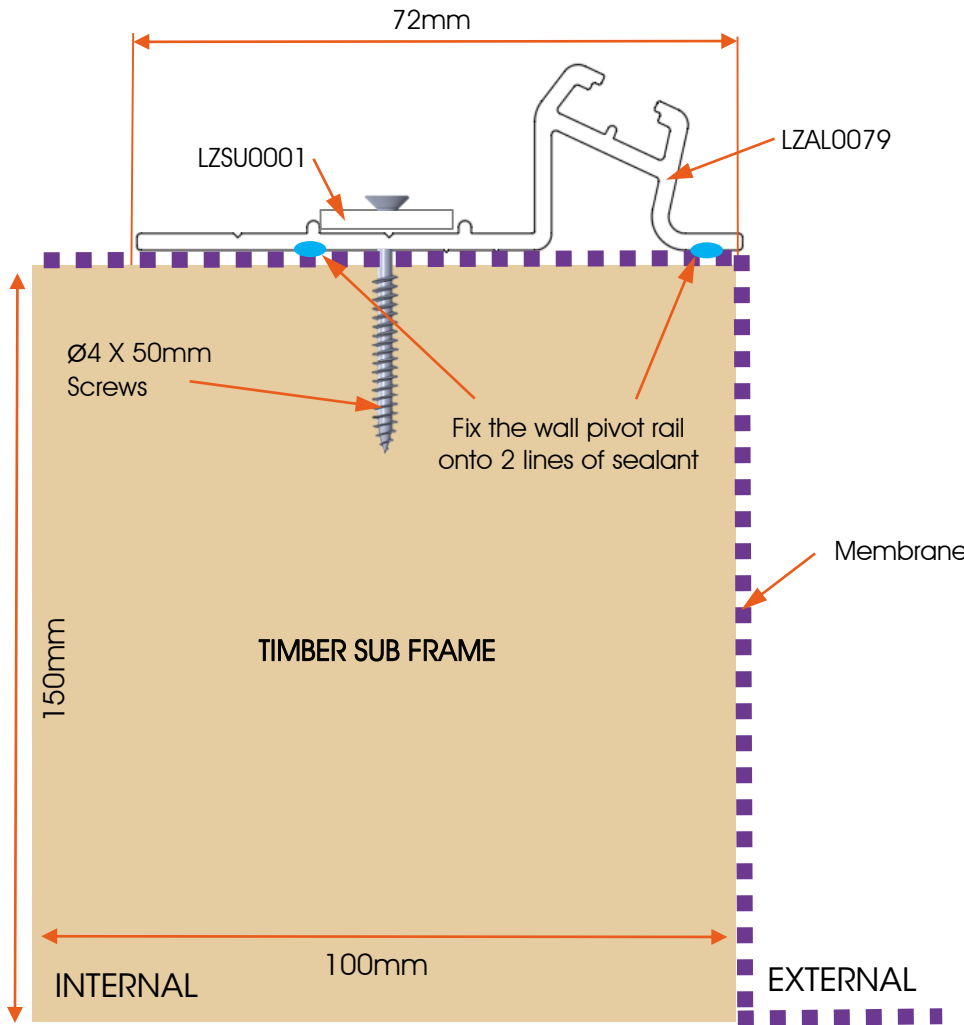
Ensure all fixings are located in the Wall Rail prior to fixing to the sub-frame. Once the Wall Rail is fixed they cannot be inserted.



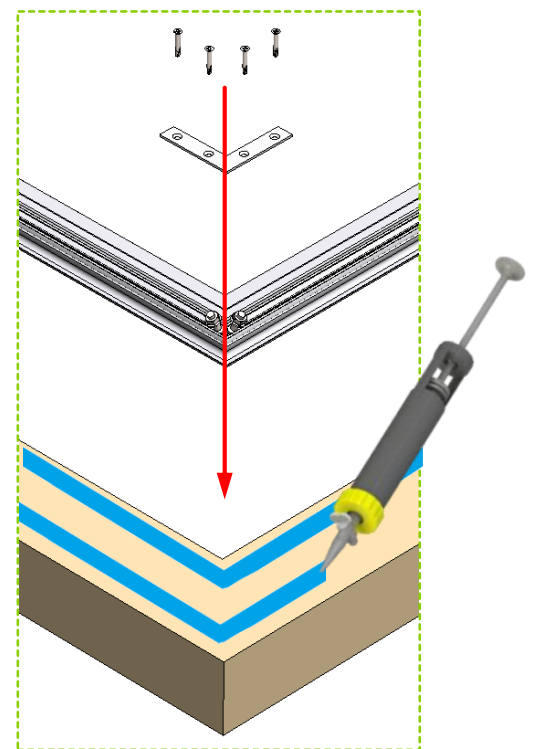
Related Components:



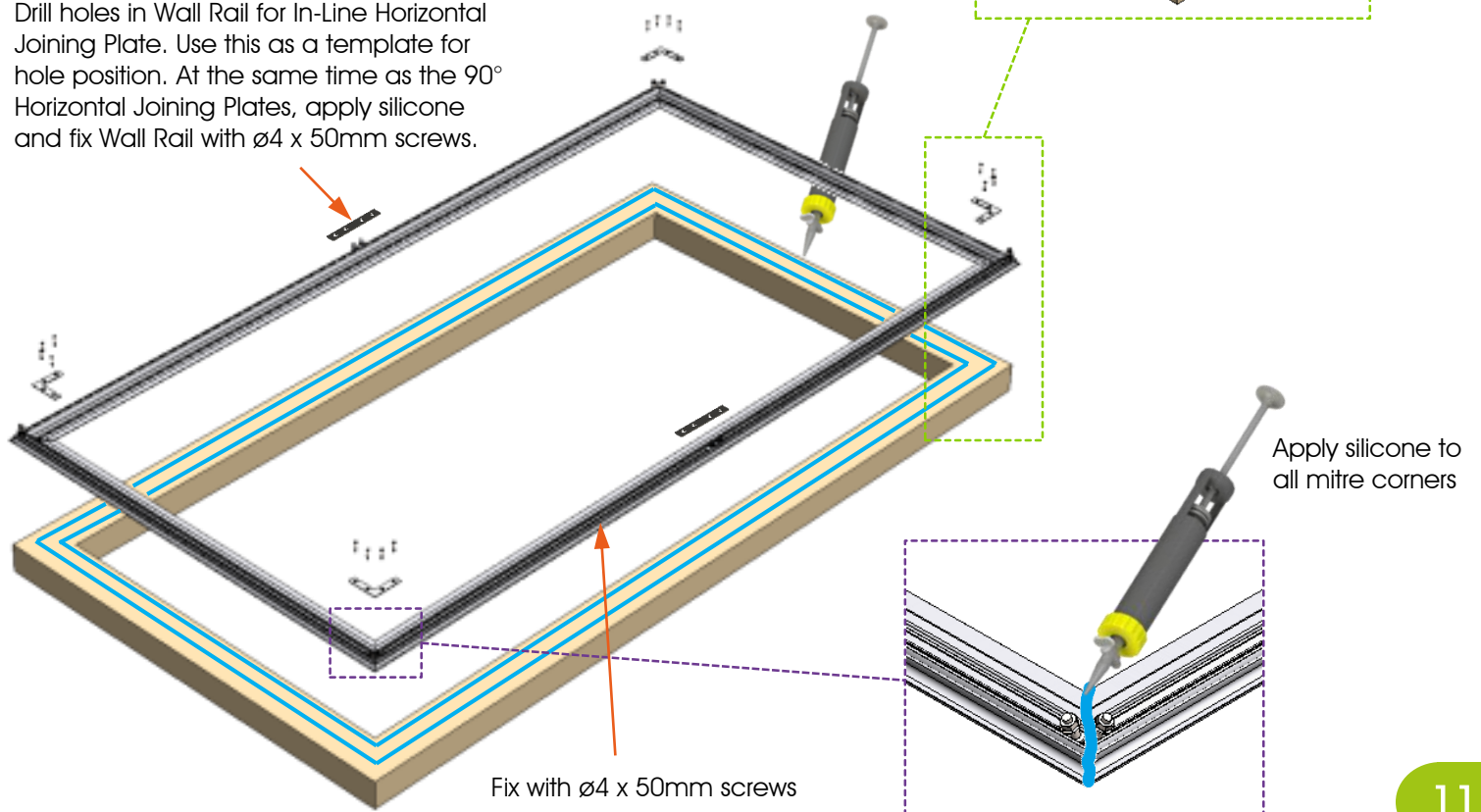
The timber sub-frame must be dressed with the roof membrane before Elevate is installed. Run two lines of sealant around the perimeter, and apply a line of sealant to all mitre cuts. Bed the Wall Rail into the sealant. Align the Wall Rail with the external face of the timber sub-frame. The Wall Rail should be secured with $\varnothing 4 \times 50\text{mm}$ fixings at a minimum of 500mm centres (150mm from corners), with a 90° Horizontal Joining Plate fitted to every corner, and an In-Line Horizontal Joining Plate fitted next to every transom bar.



Drill holes in Wall Rail for 90° Horizontal Joining Plate. Use this as a template for hole position. Apply silicone to sub frame and fix Wall Rail with $\varnothing 4 \times 50\text{mm}$ screws.

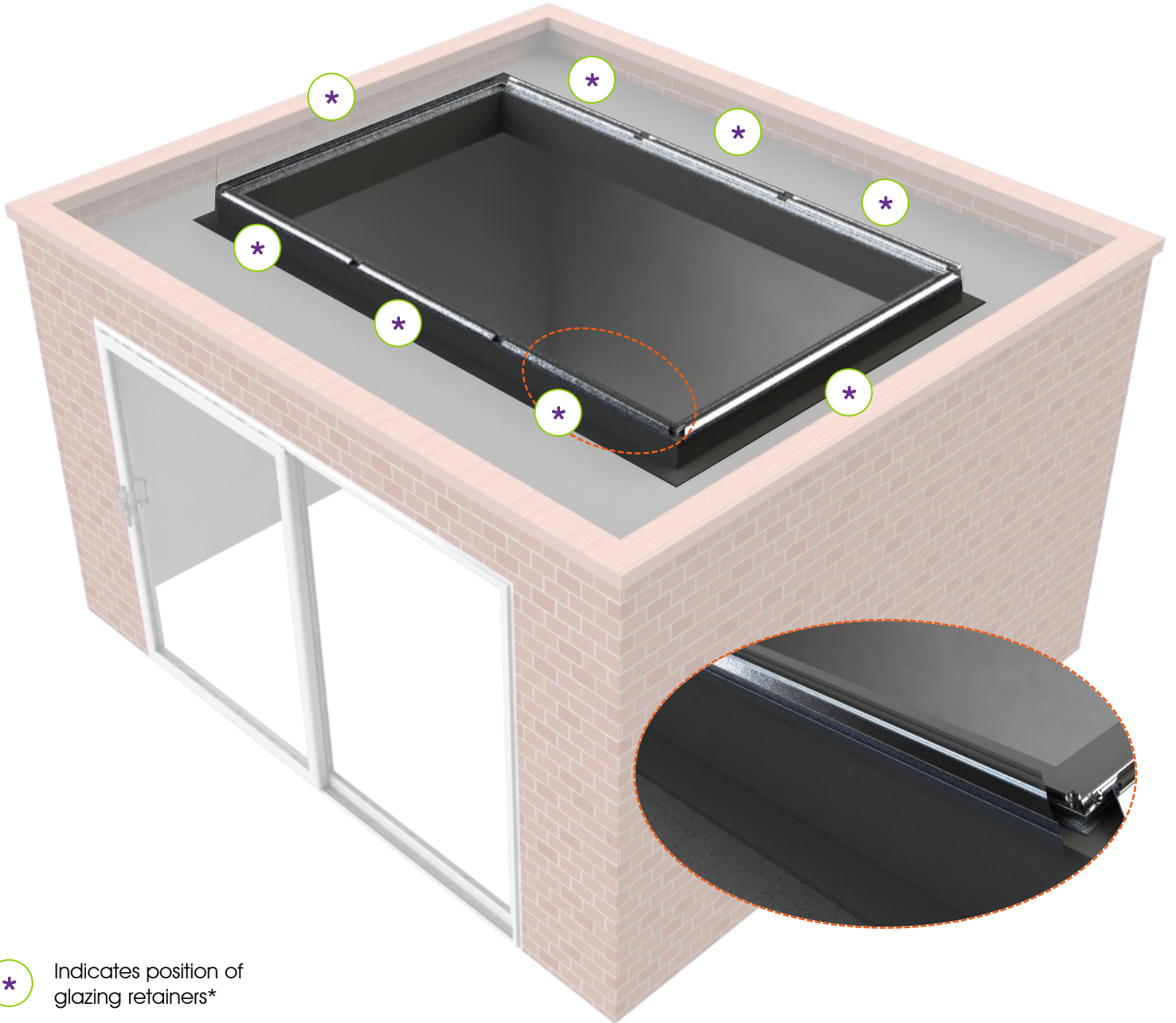


Drill holes in Wall Rail for In-Line Horizontal Joining Plate. Use this as a template for hole position. At the same time as the 90° Horizontal Joining Plates, apply silicone and fix Wall Rail with $\varnothing 4 \times 50\text{mm}$ screws.



2.3 - Glazing Retainer and Cloaking Foam Assembly

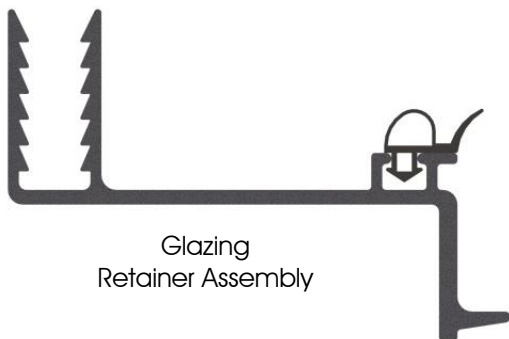
Ensure the Glazing Retainer Assembly is installed prior to fitting the roof bars. Glazing Retainers sit at the bottom of all glazed units.



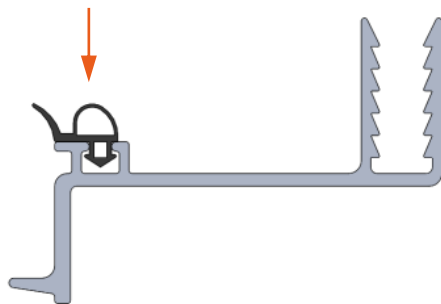
* Indicates position of glazing retainers*

* See paperwork for glazing retainer positions

Related Components:

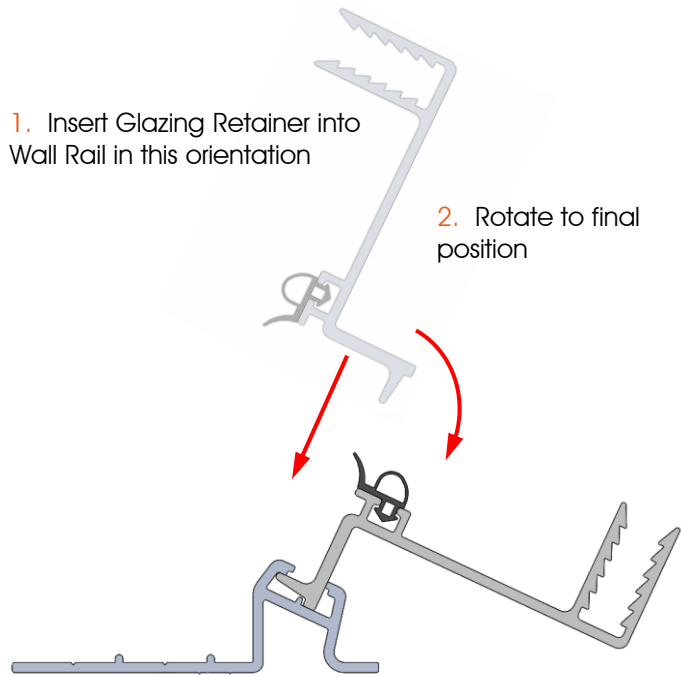


Ensure Glazing Retainer Bubble Gasket (LZSU0065) is fitted in the correct orientation on all Glazing Retainers (LZAL0046A)



1. Insert Glazing Retainer into Wall Rail in this orientation

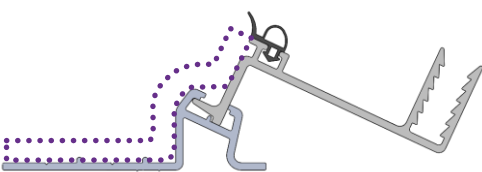
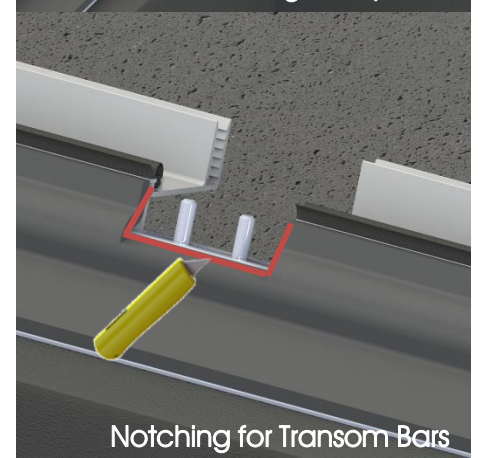
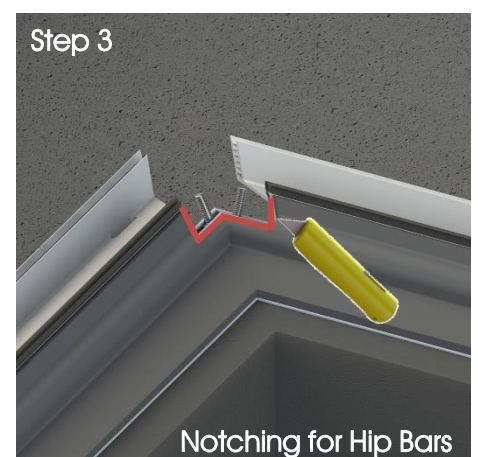
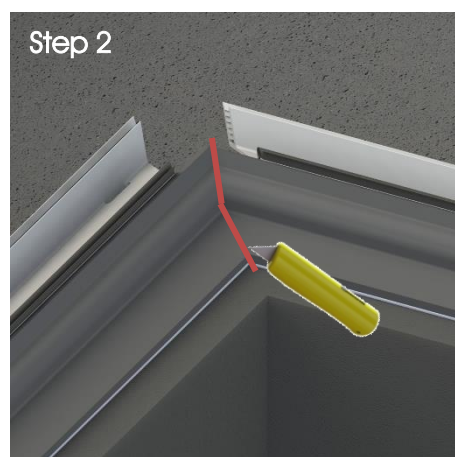
2. Rotate to final position



100mm Wall Rail Cloaking Foam (LZSU0100)

The Wall Rail Cloaking Foam adds extra insulation, minimises condensation on glass and improves overall aesthetics. The foam will be supplied in rolls and requires cutting to length to fit the Wall Rails.

Look for a roll/rolls of adhesive backed foam 6mm x 100mm. Remove backing tape and apply to the full length of the Wall Rail.

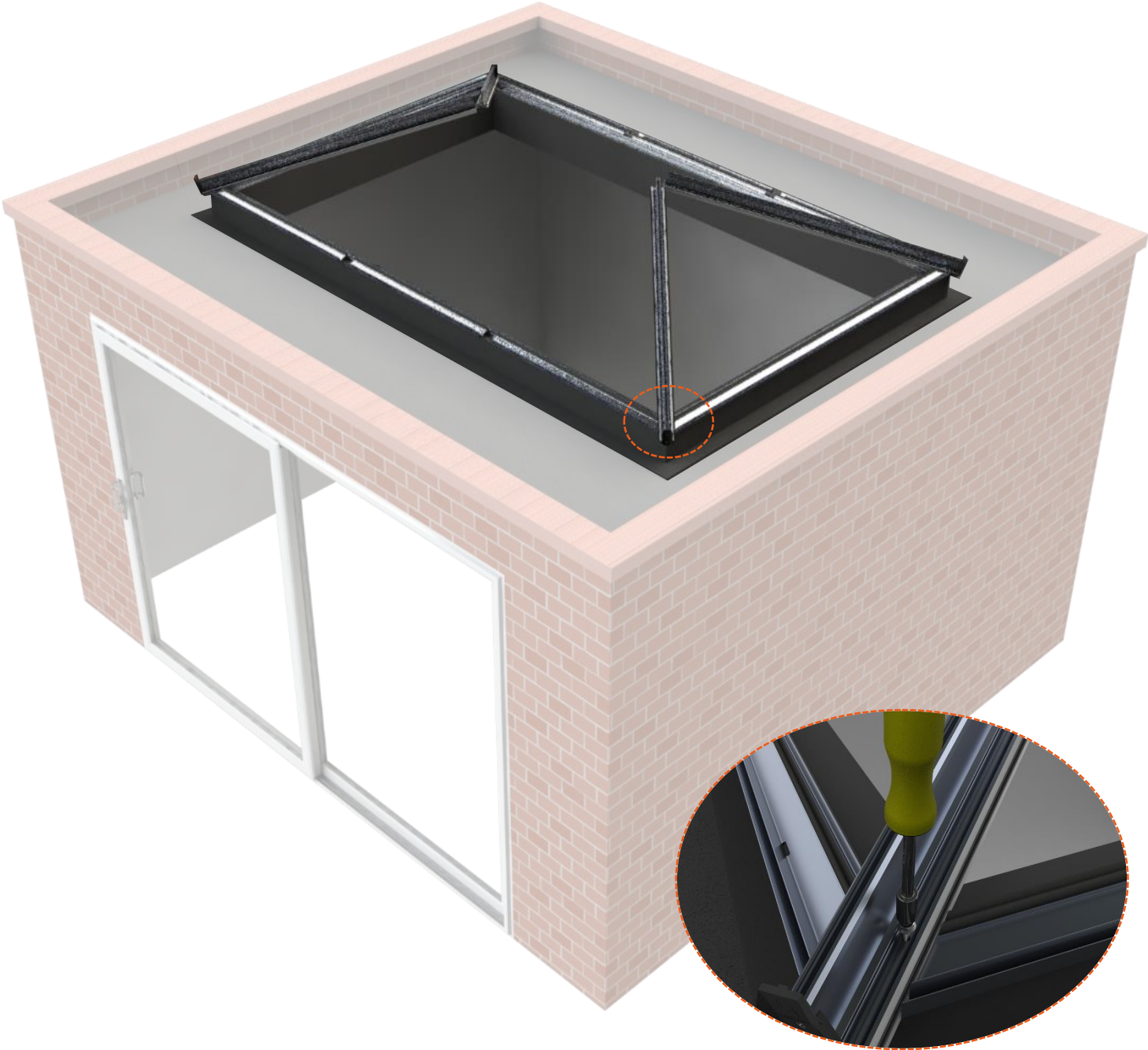


Cut mitre all corners. Remove and discard excess foam.

Prepare all surfaces by removing any dirt or grease. Remove backing from foam roll and apply along the length of all wall rails and glazing retainers, overlapping at the corners (see cross section above).

Notch foam for all roof bars using the glazing retainer as a guide. Apply firm pressure to the foam to ensure it is stuck securely.

2.4 - Hip Bar Assembly



Related Components:



Hip Bar Assembly



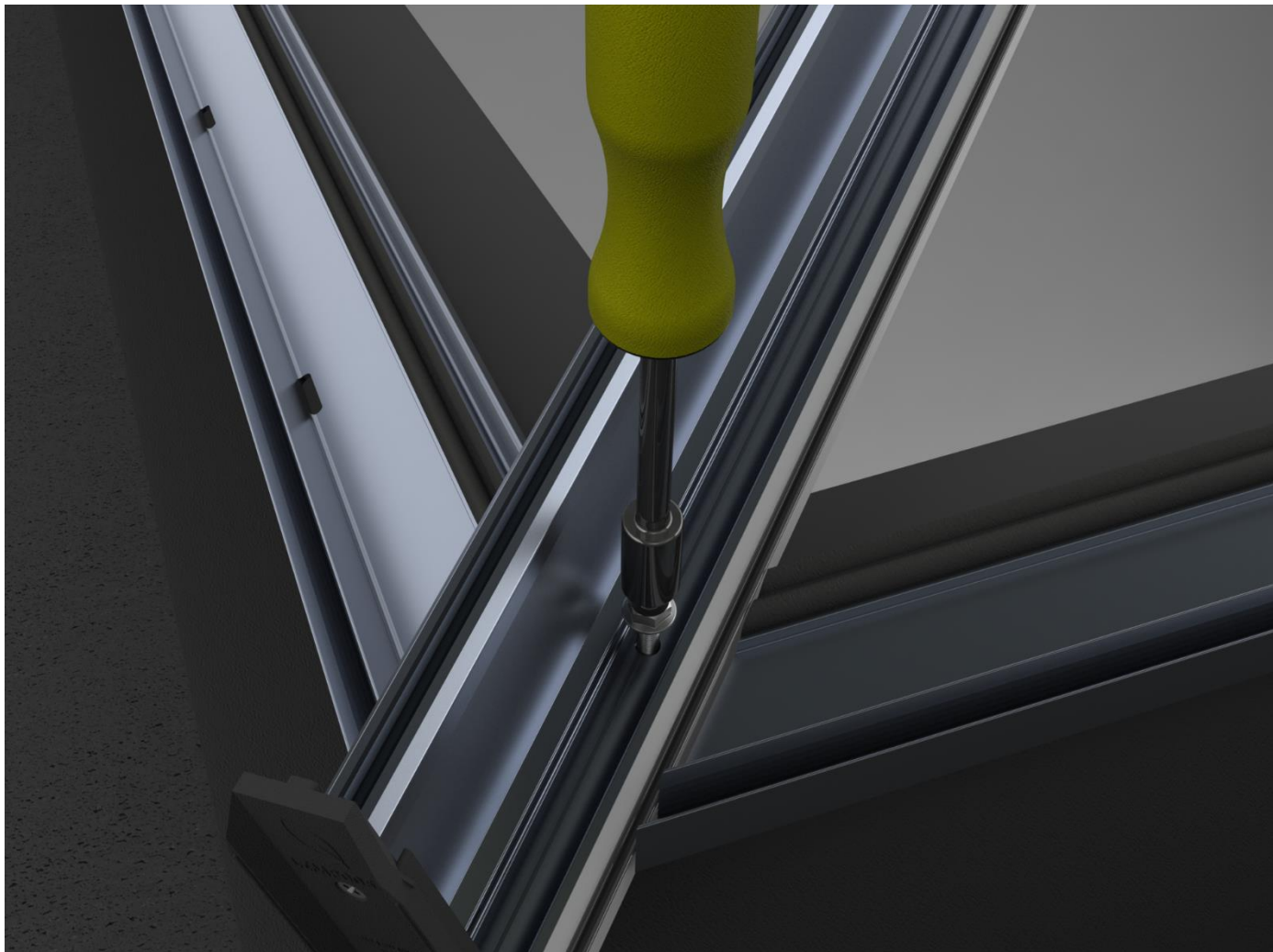
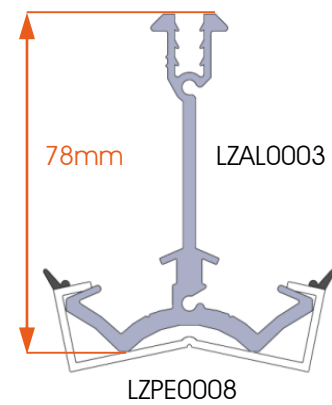
LZFX0001



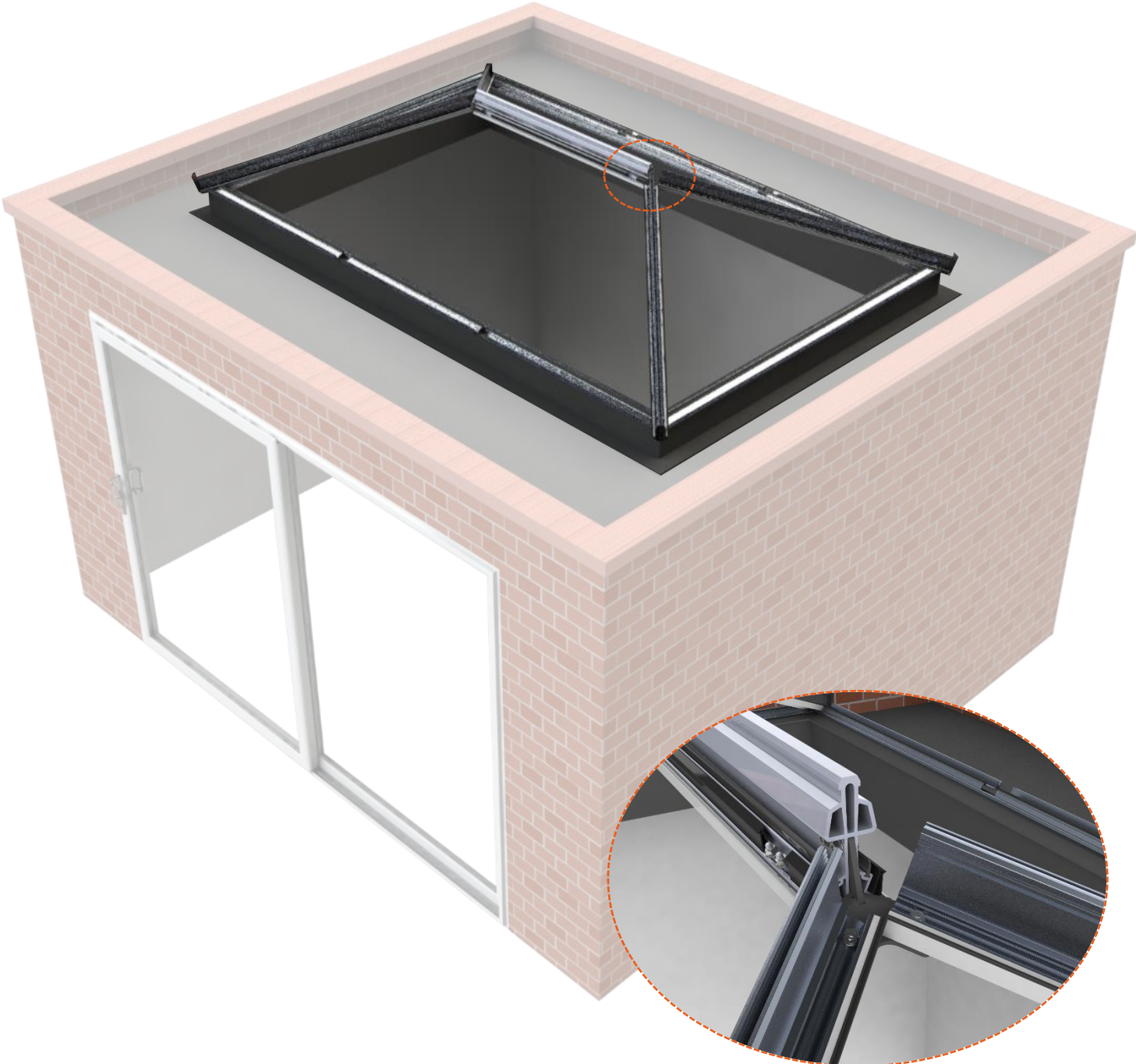
LZFX0018

Loosely connect the bottom end of the Hip Bar Assembly to the Wall Rail, securing it in place with 2 x M6 Flange Nuts. They will be tightened later on.

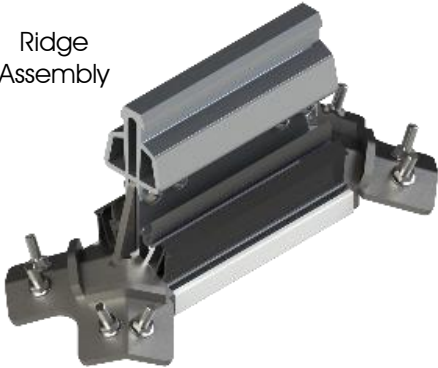
** Hand tighten - do not use an impact driver*



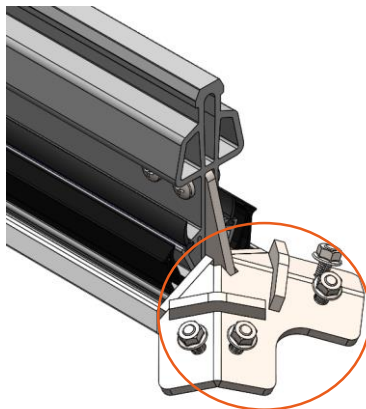
2.5 - Ridge Assembly



Related Components:



1.



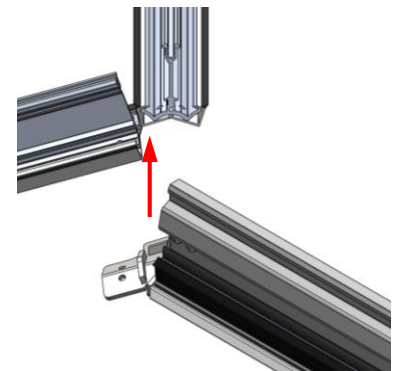
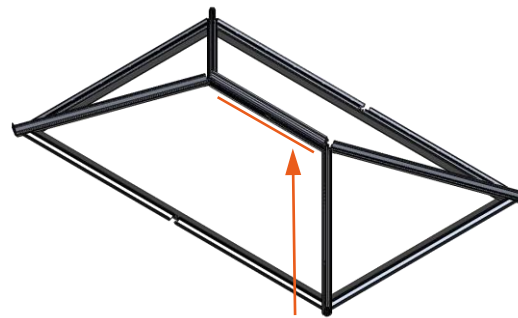
Check correct number of fixings are in the End Boss prior to fixing in position, there should be 4x 6mm Socket Cap Head Screws and 4x 6mm Flange Nuts on each end.

Remove fixings from End Boss.

Remove nuts and cap head screws

2.

Lift the Ridge while also supporting it, while another person inserts the Socket Cap Head Screws upwards through the holes while loosely fitting the Flange Nuts. This connects the Ridge to all four Hip Bars.

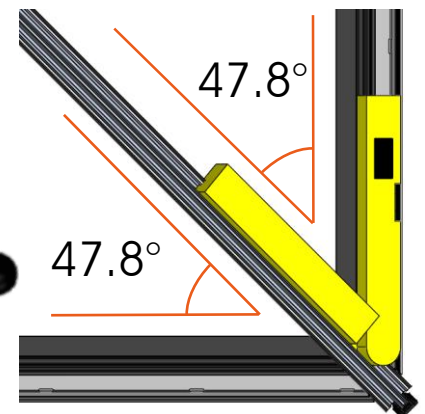
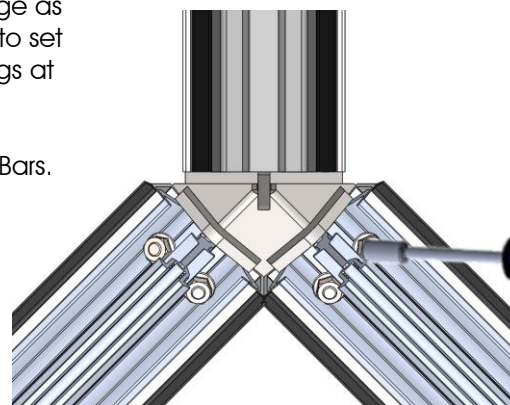


LIFT AND SUPPORT RIDGE

3.

While the other person is lifting the Ridge as high as possible, use an Angle Finder to set one Hip Bar to 47.8°, then tighten fixings at the top and bottom of the Hip Bar.

Repeat this process with all of the Hip Bars.

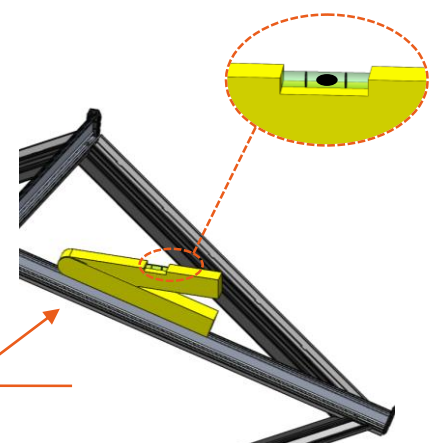
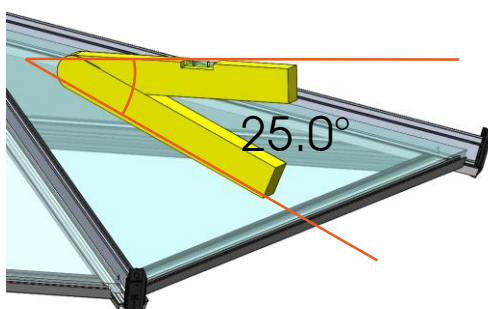


4.

Once fully tightened, double check all angles. Each Hip Bar should measure 18.25°.

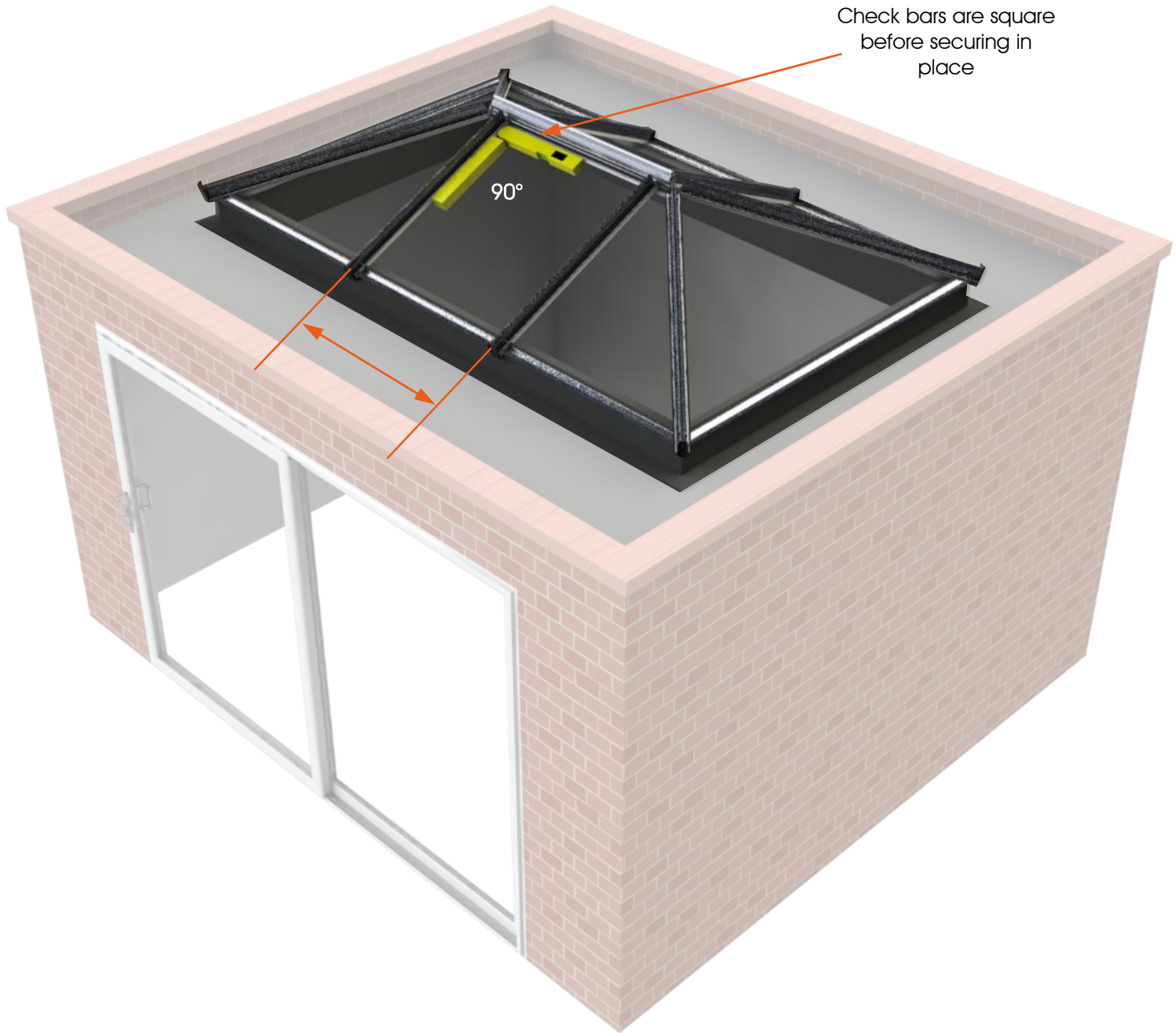
If all correct, the glazing material will sit at the correct angle of 25°, this will be checked later on.

If incorrect, adjust until correct angles are achieved. Do not fit glazing until correct.

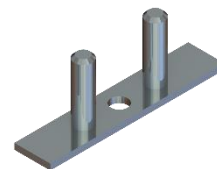


2.6 - Transom Bar Assembly

The Transom Bars can now be fitted to support the Ridge. Check dimensions from the paperwork for the positioning of the bars.



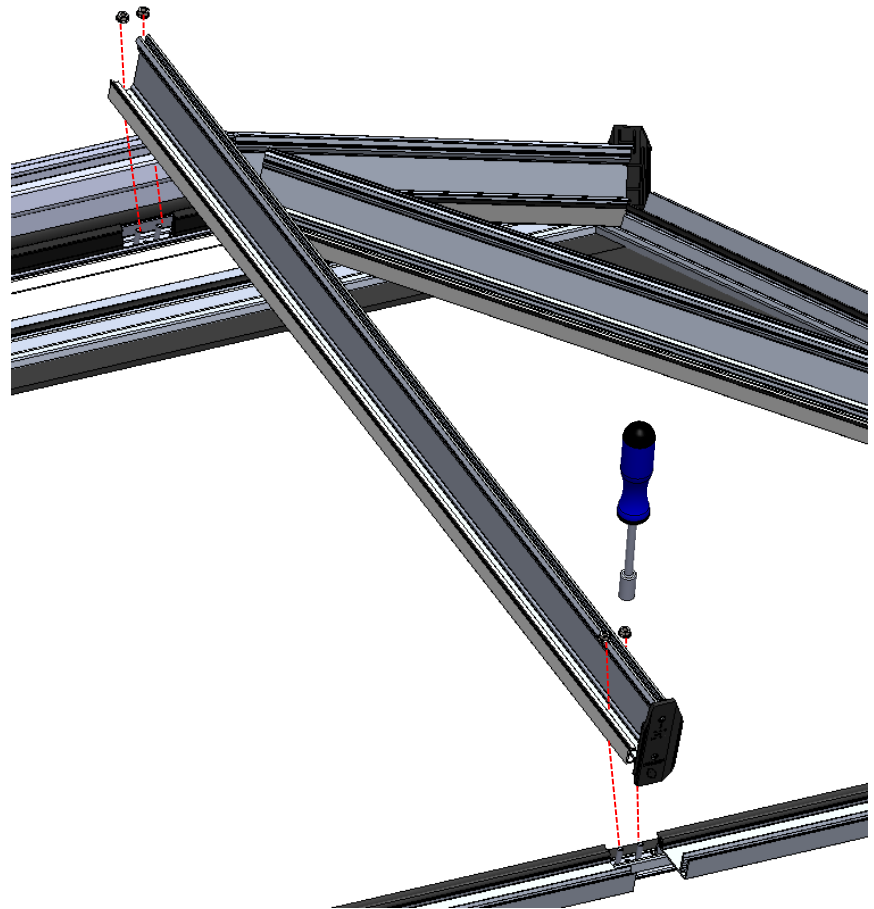
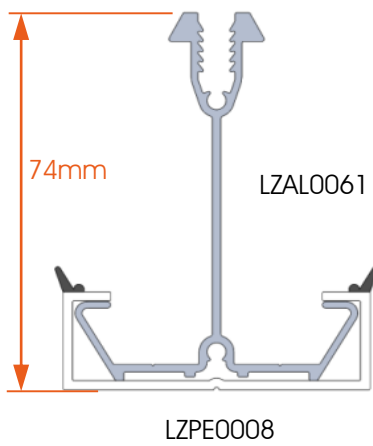
Related Components:



LZFX0020

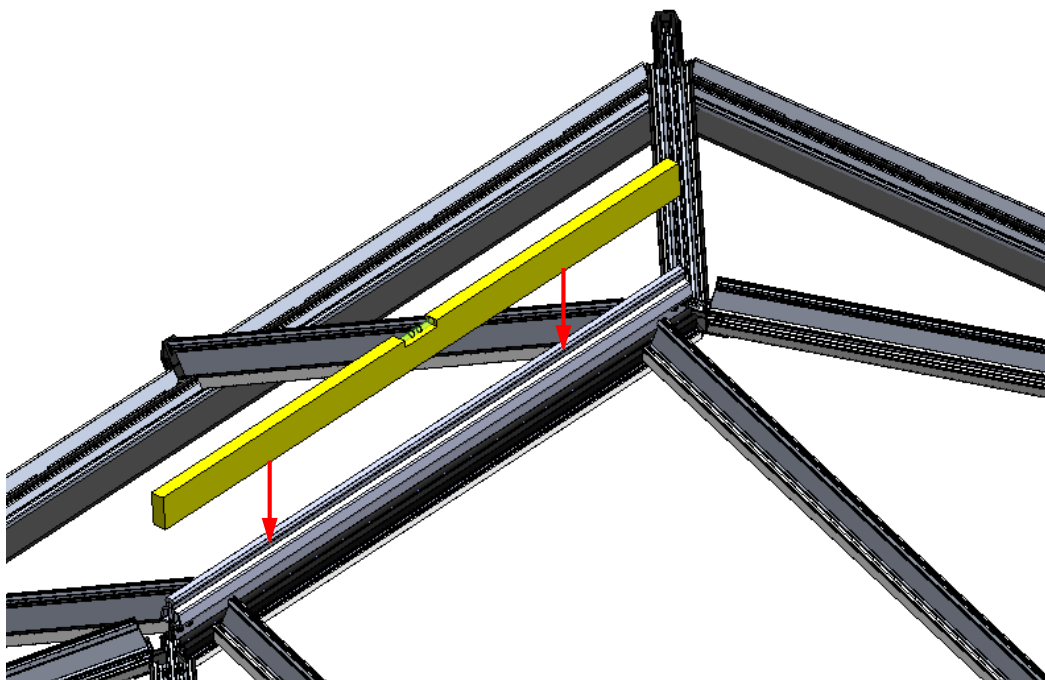


LZFX0018



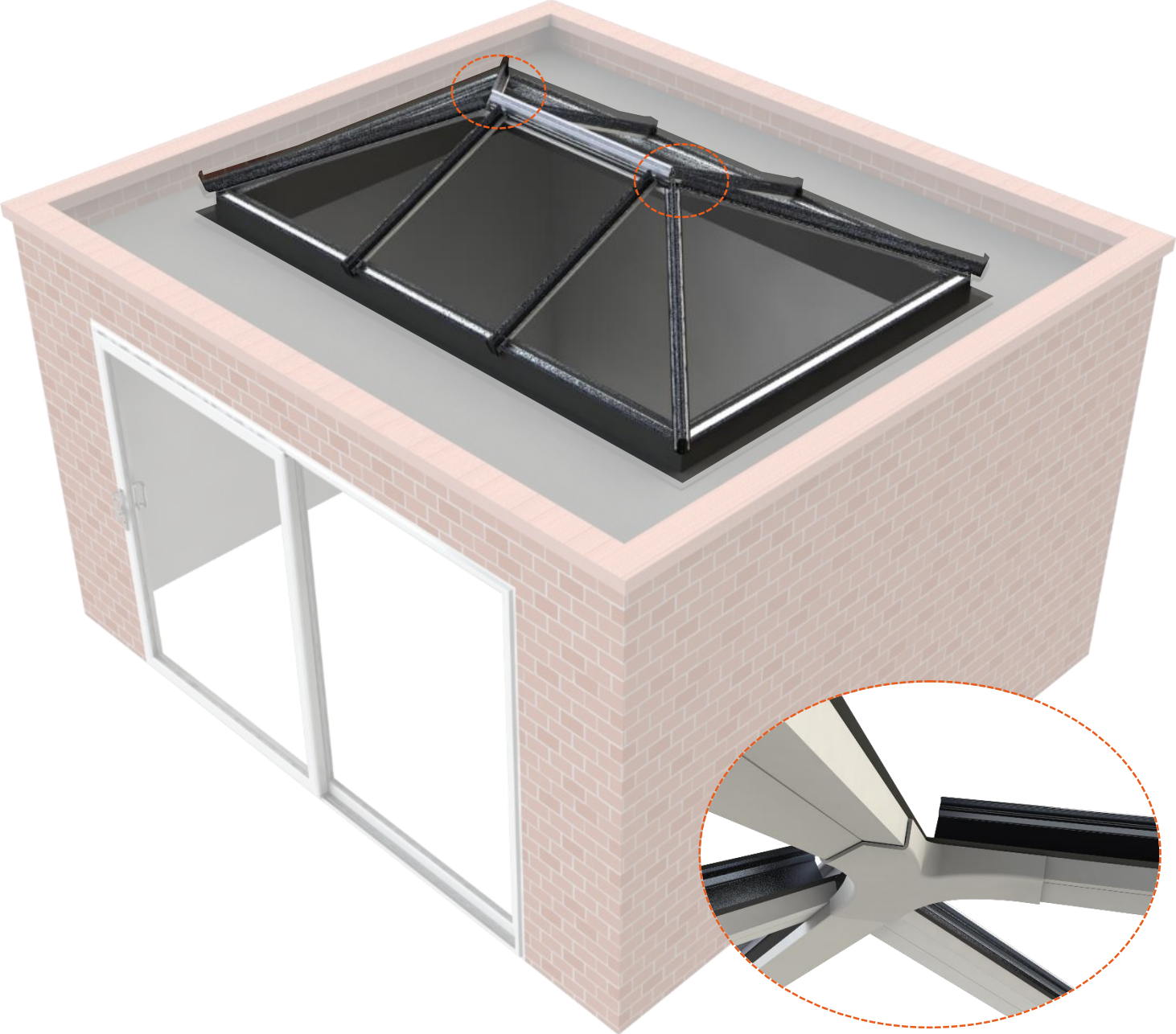
The Transom Bar Assembly can now be fitted. Each bar is secured by four M6 Flange Nuts. This is on the Wall Rail and Ridge.

Loosely tighten so that the roof can be levelled (shown below).



Once Transom Bars are fitted, check the Ridge is level using a spirit level, then tighten all Transom Bar nuts around Elevate.

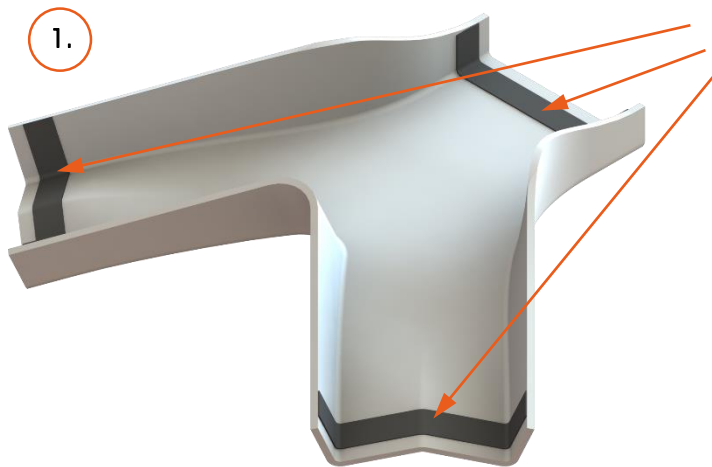
2.7 - Internal End Cover Assembly



Related Components:



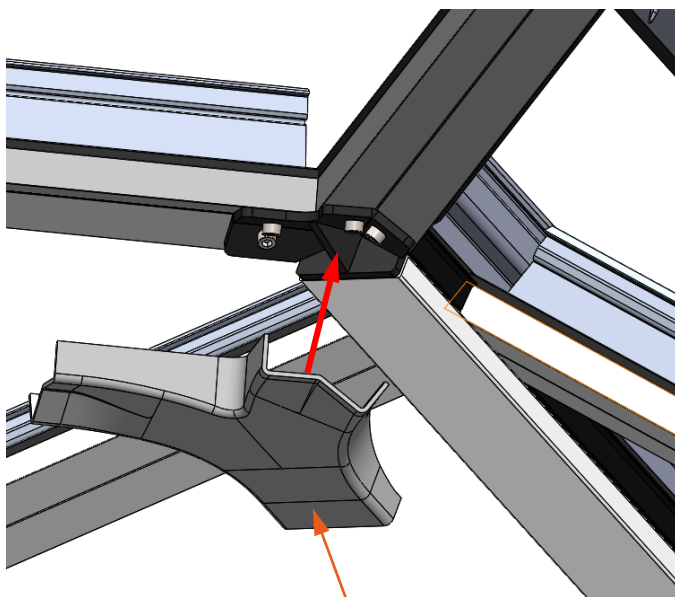
LZMP0078



1.

Peel off tape backing before applying to roof*

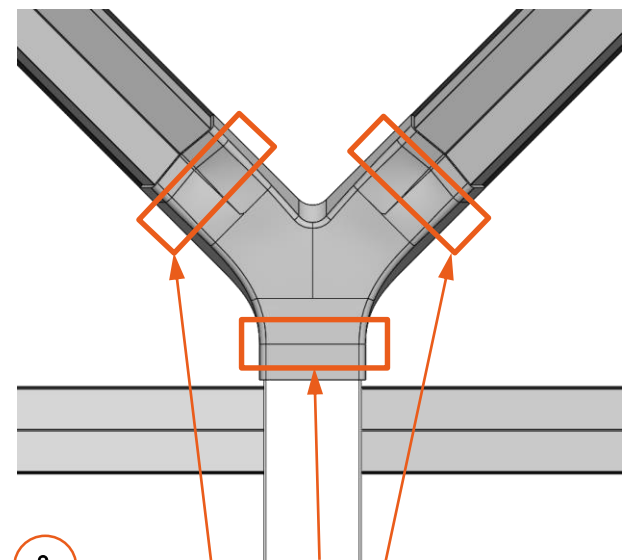
** Ensure Internal End Covers are clean and dry before applying to roof*



2.

Place the flat side pointing towards the Ridge

Firmly apply pressure in the areas shown below, ensuring that all sides are properly stuck

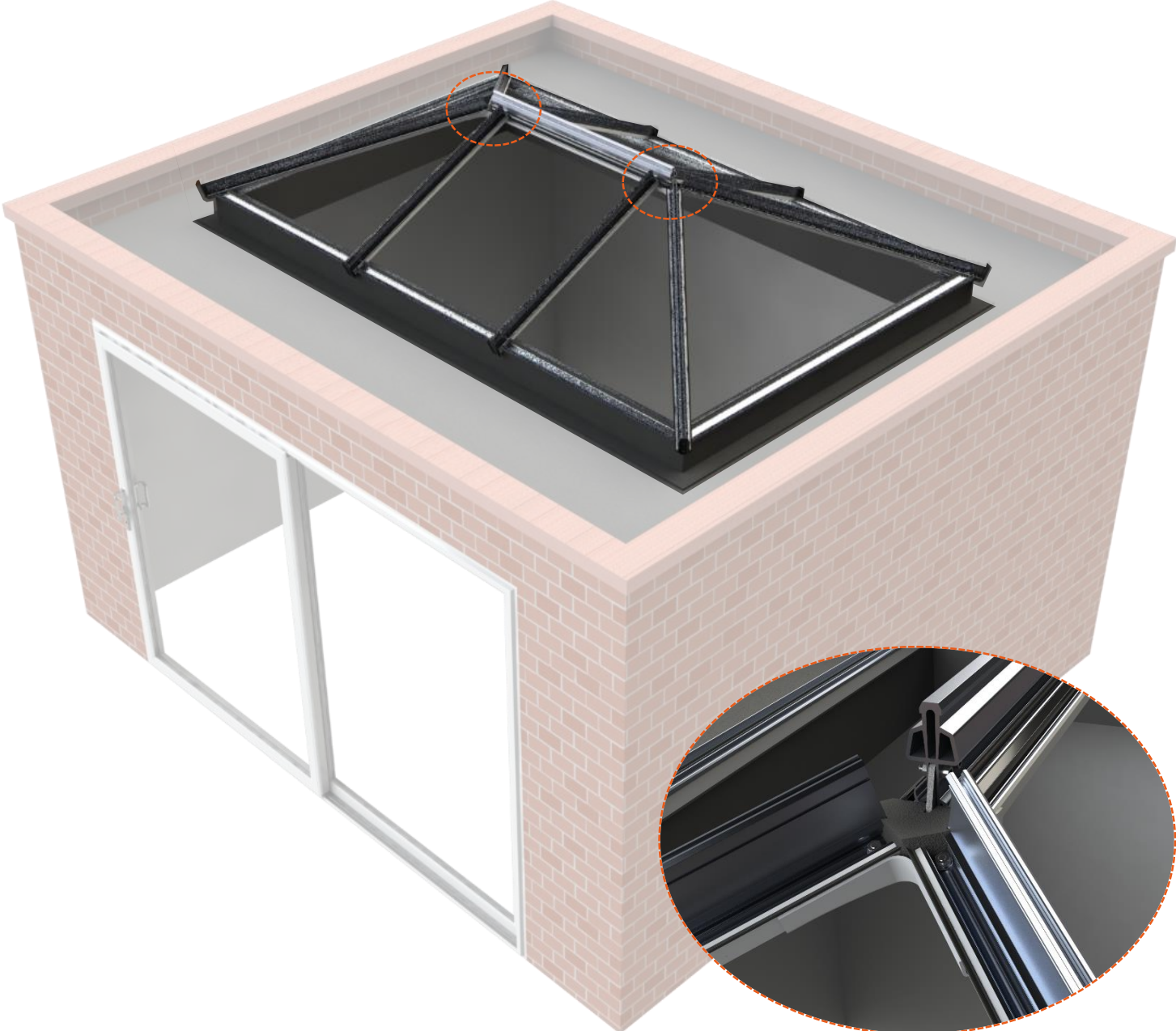


3.

Apply firm pressure here

Repeat this process on the other side of Ridge. There are two Internal End Covers per roof.

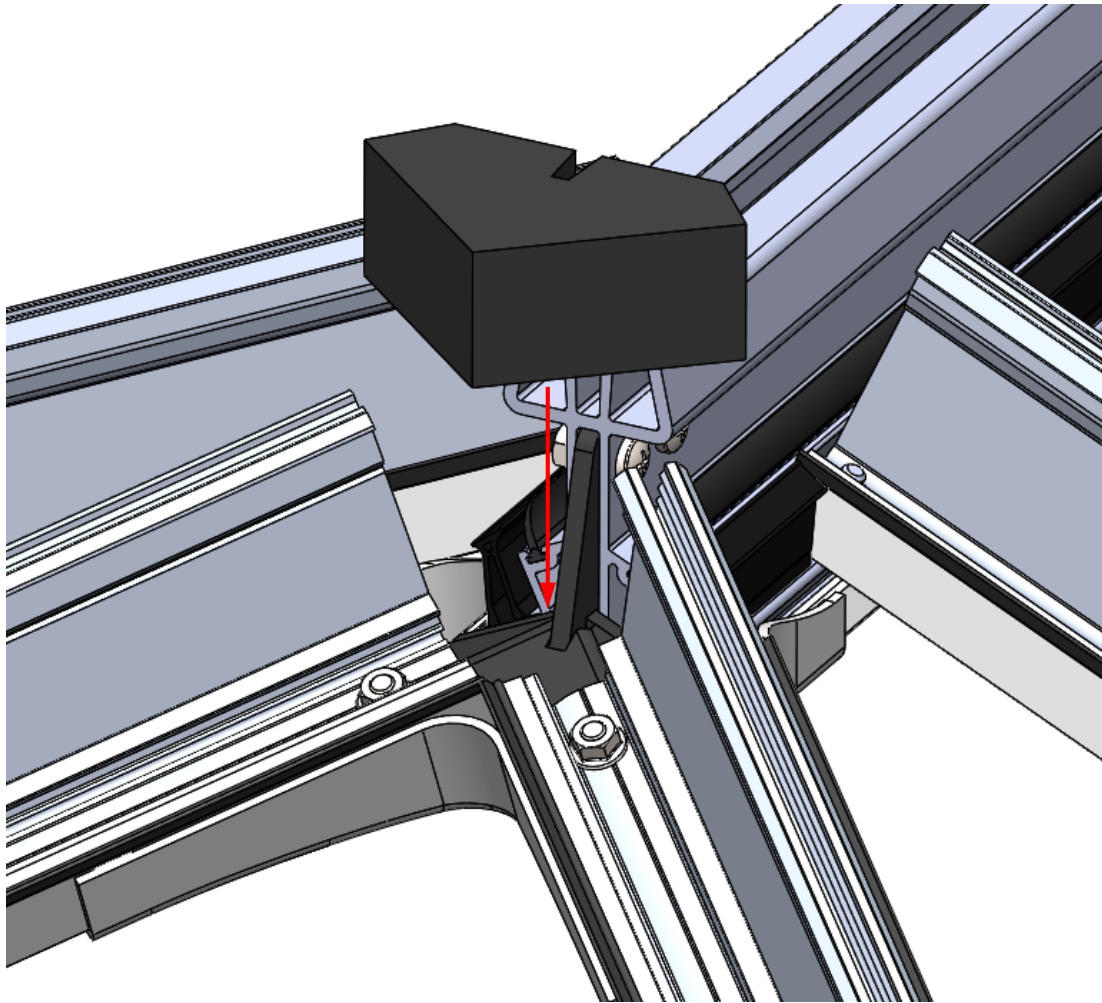
2.8 - Ridge Foam Assembly



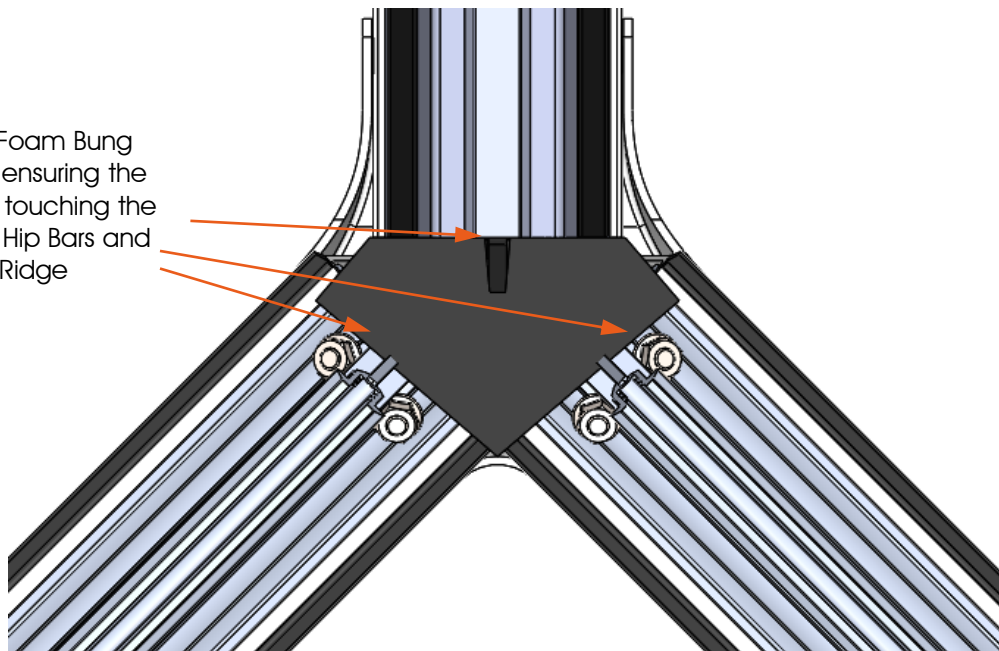
Related Components:



LZSU0098



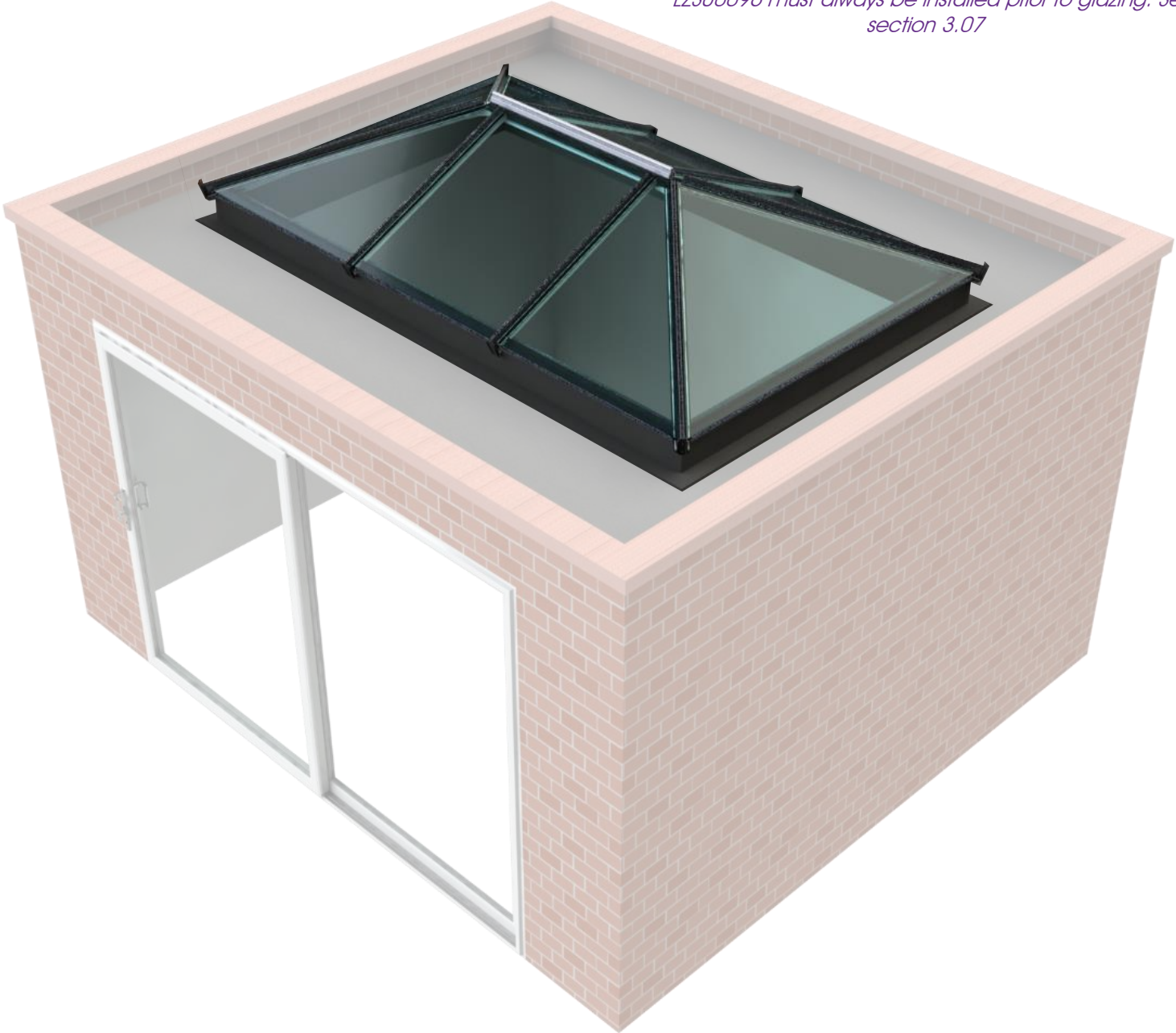
Push Foam Bung down, ensuring the foam is touching the end of Hip Bars and Ridge



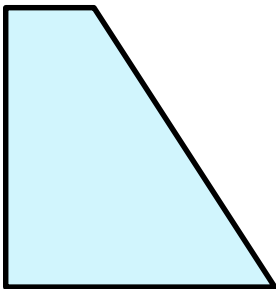
Repeat this process on the other end of Ridge. There are two Foam Bungs per roof.

2.9 - Glazing Assembly

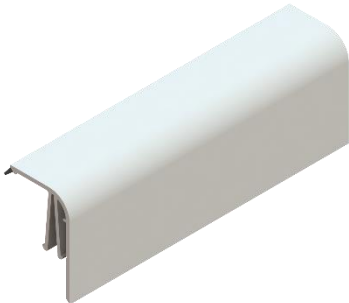
* LZSU0096 must always be installed prior to glazing. See section 3.07



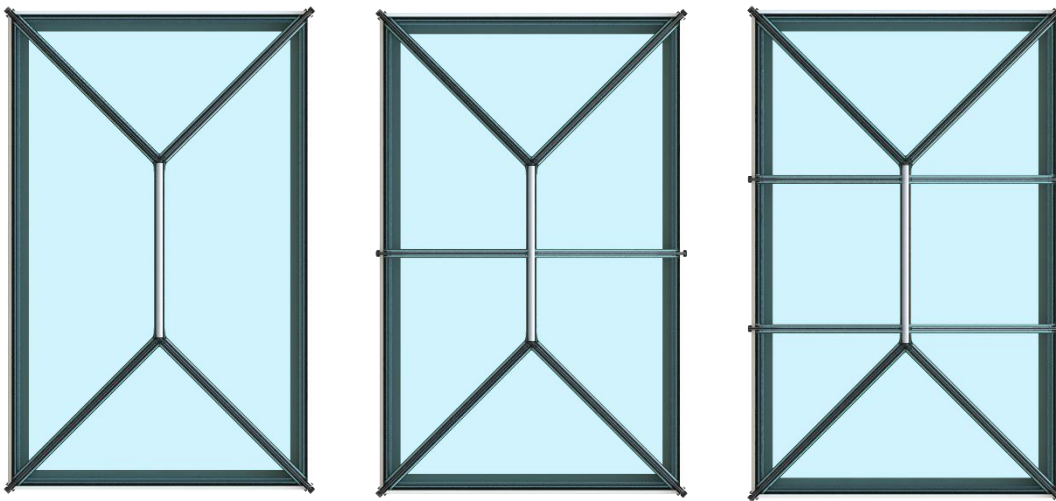
Related Components:



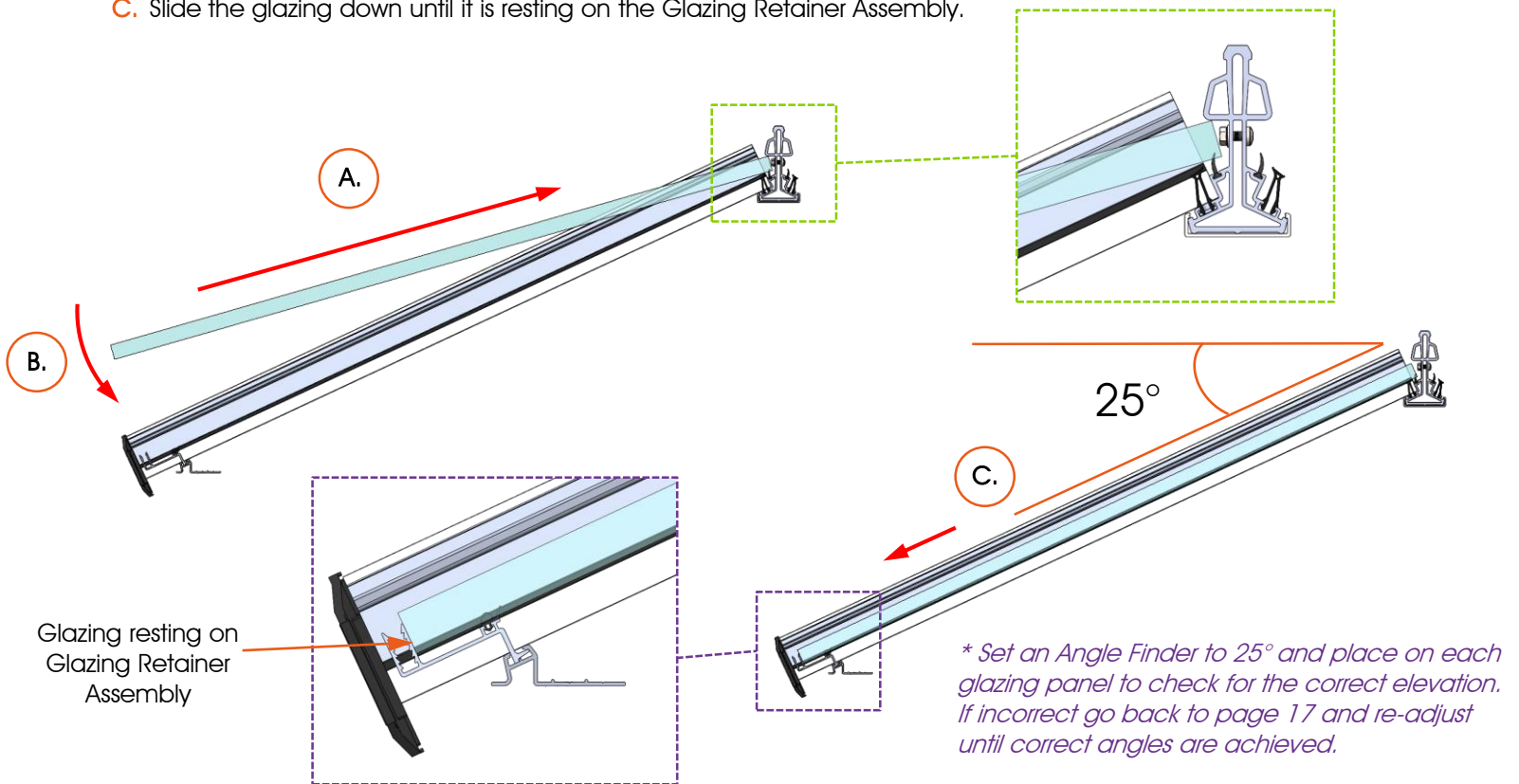
24mm Glazing



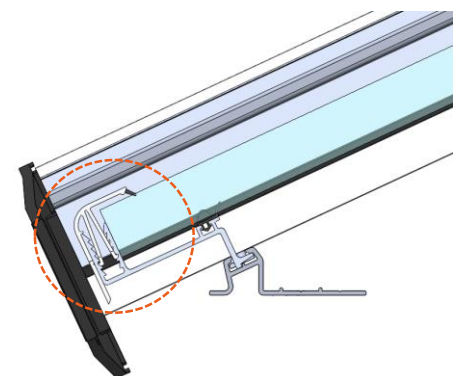
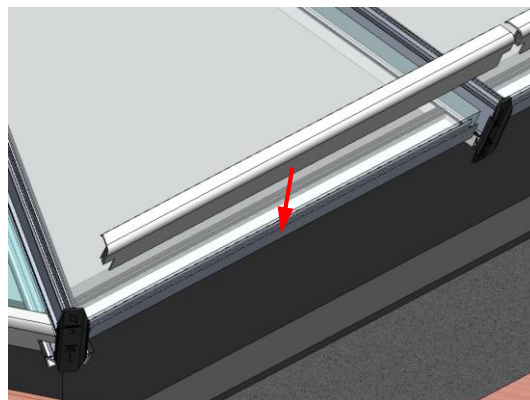
LZPE0028



- A. To install the glazing, push the top end of the glazing panel up to the Ridge.
- B. Lower the bottom end of the glazing panel to rest on the roof bars.
- C. Slide the glazing down until it is resting on the Glazing Retainer Assembly.

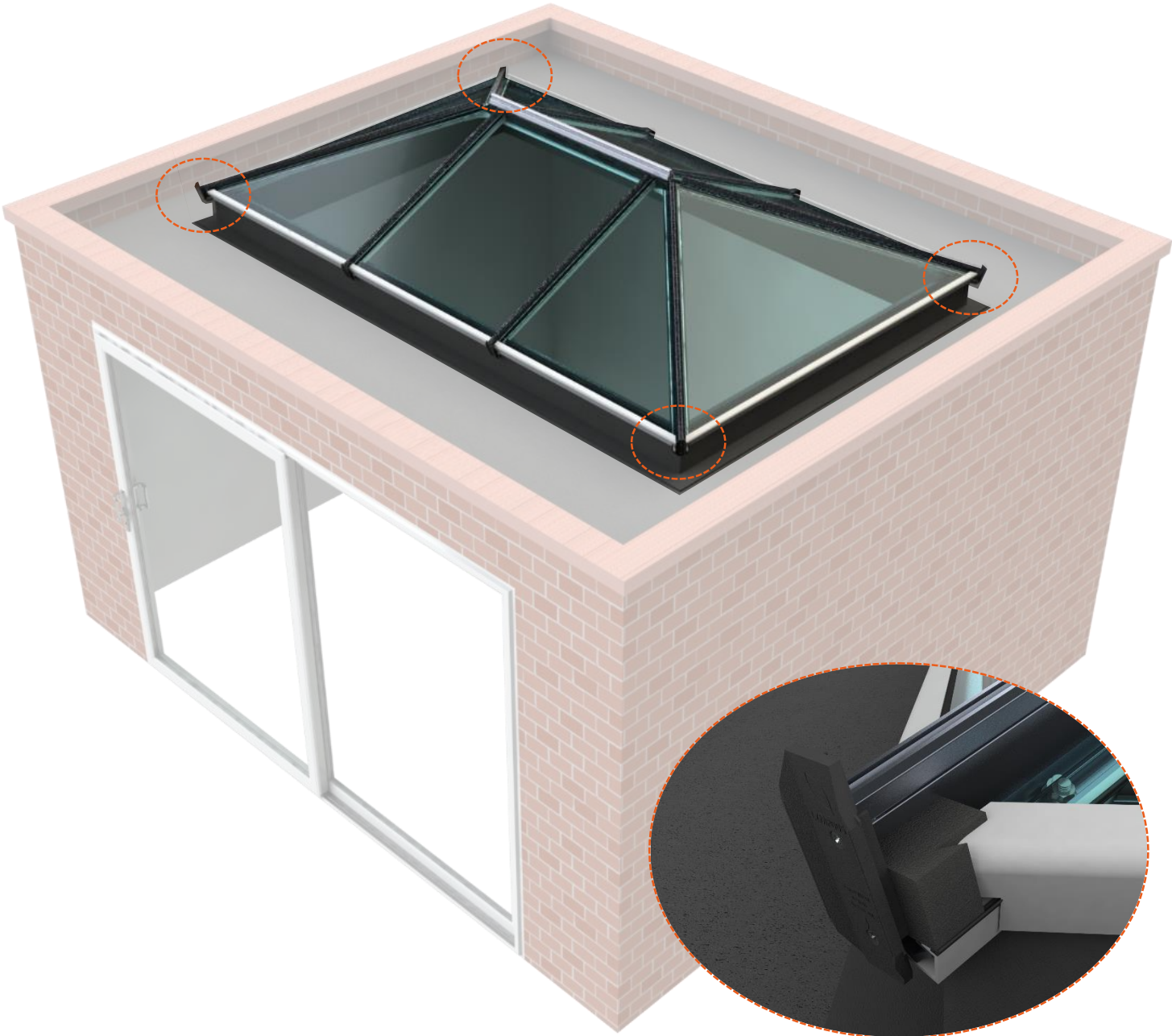


Once the glazing is in position, the Glazing Retainer Trims should be inserted into the aluminium part of the Glazing Retainer Assembly.



** Glazing Retainer Trims must be fitted before the Transom/Hip Bar Top Caps are installed*

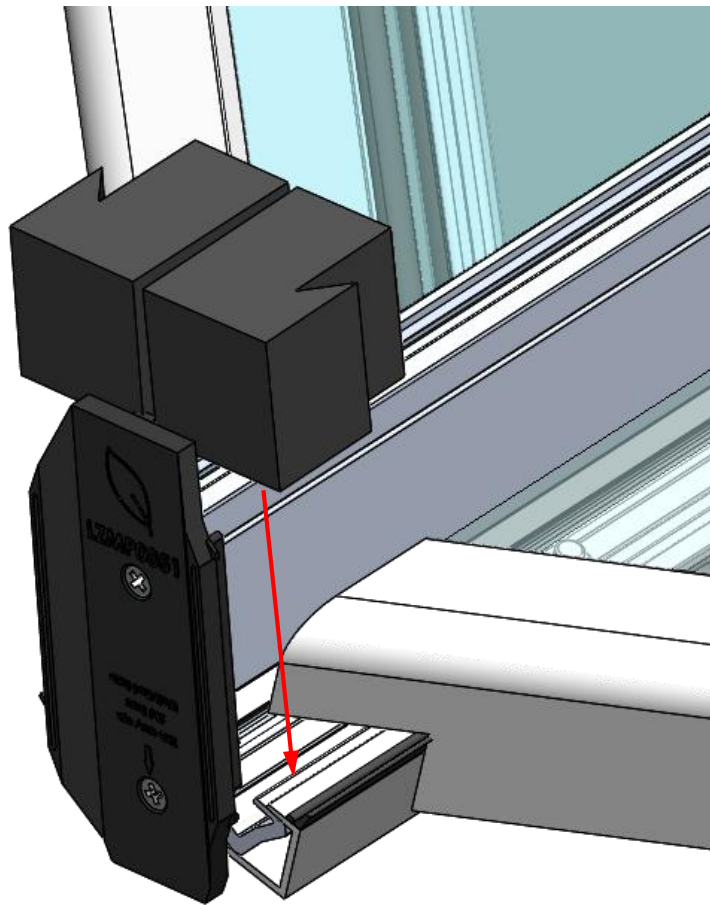
2.10 - Hip Bar Foam Assembly



Related Components



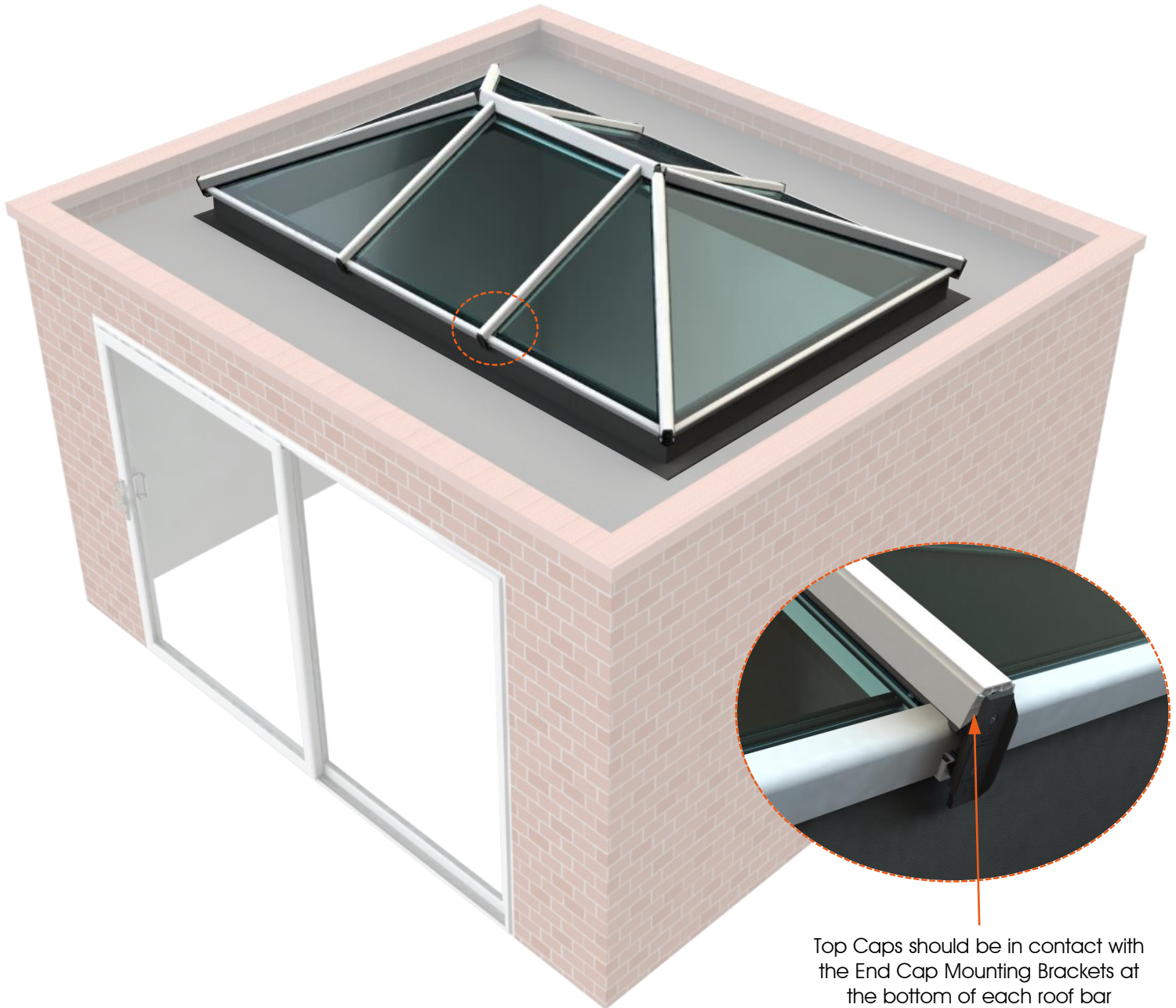
LZSU0099



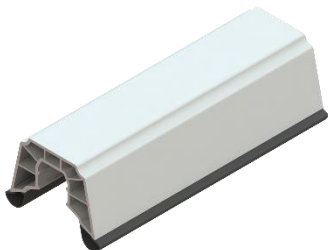
Fit to all Hip Bars, ensuring that there are two Hip Bar Foam Bungs per bar



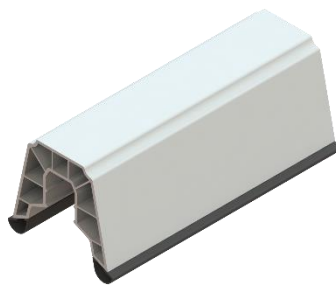
2.11 - Top Cap Assembly



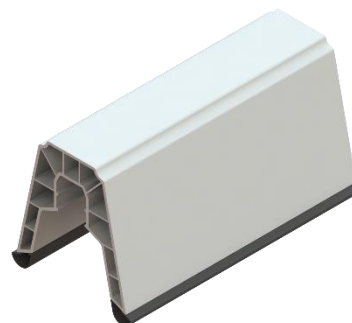
Related Components:



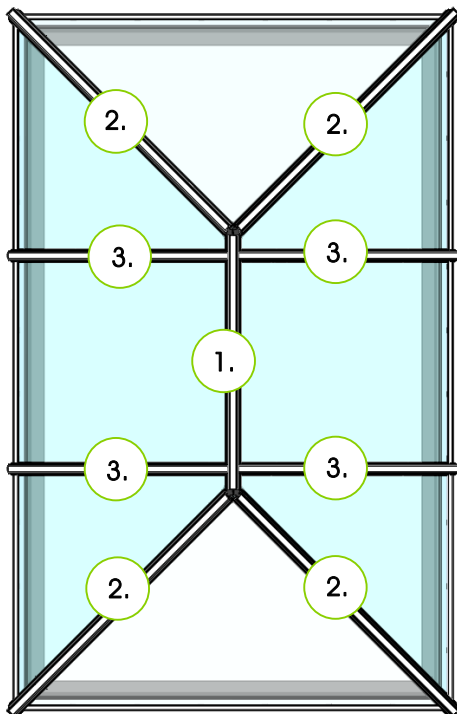
LZPE0041



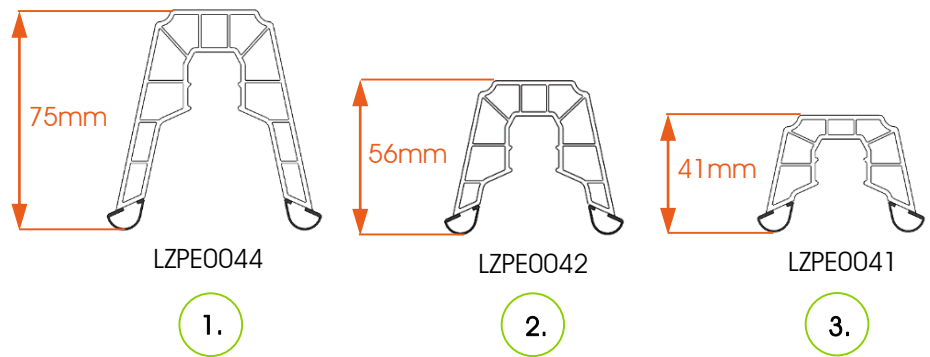
LZPE0042



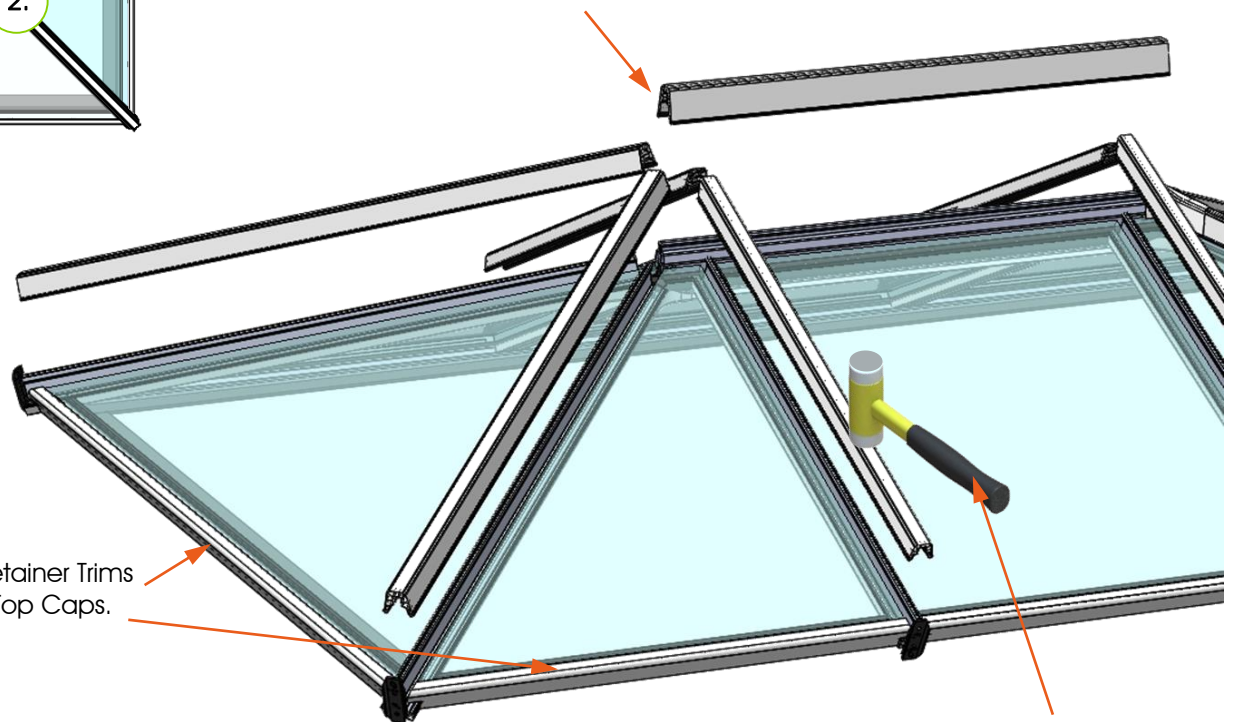
LZPE0044



Fit in the correct order, and always fit Transom Bar Top Caps last.

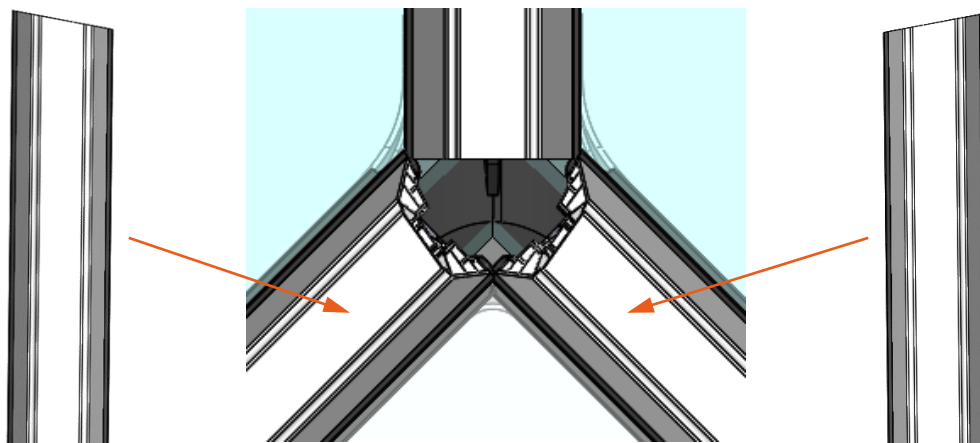


Ensure LZPE0044 is flush with Ridge End. It should be cut the same length as the Ridge.



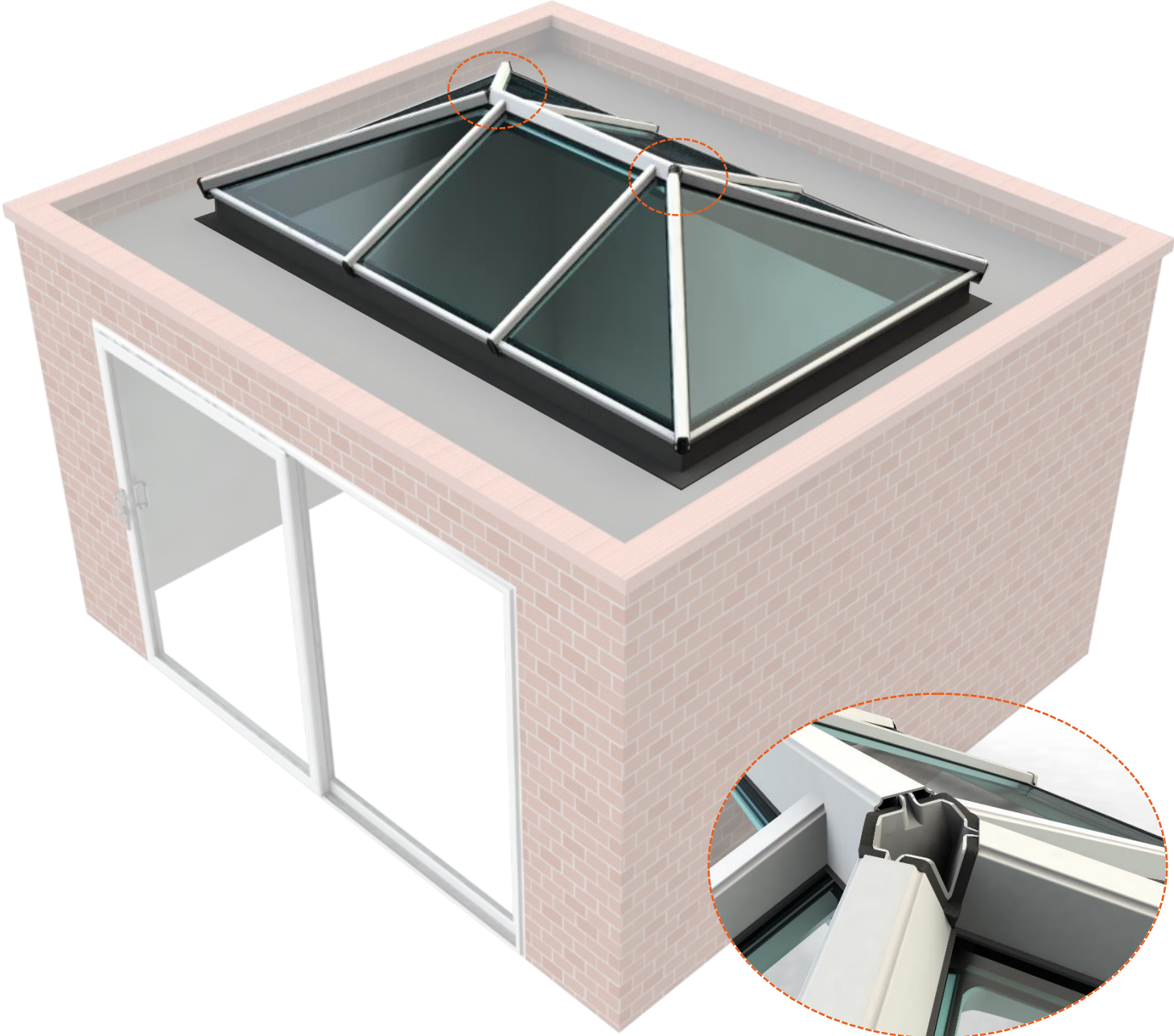
Ensure Glazing Retainer Trims are fitted before Top Caps.

Using a glazing hammer, carefully secure the Top Caps. Work from one end of the bar to the other.



See paperwork for Top Cap positions. Mitre cut to top of roof bar.

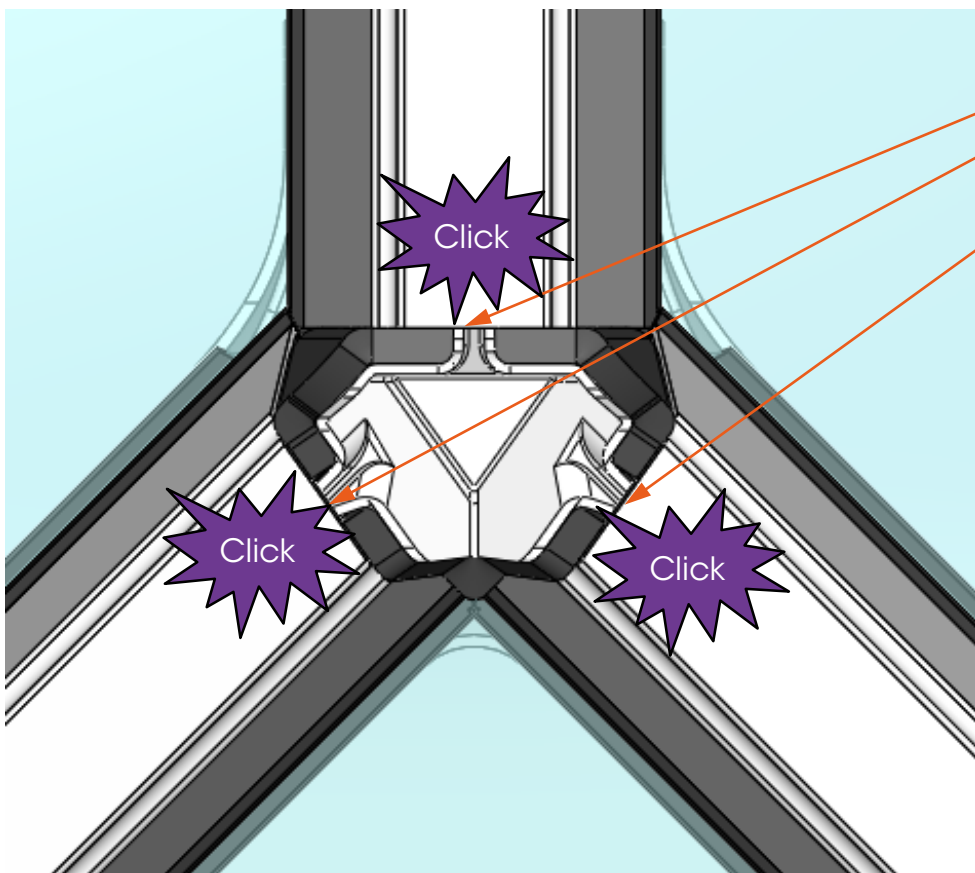
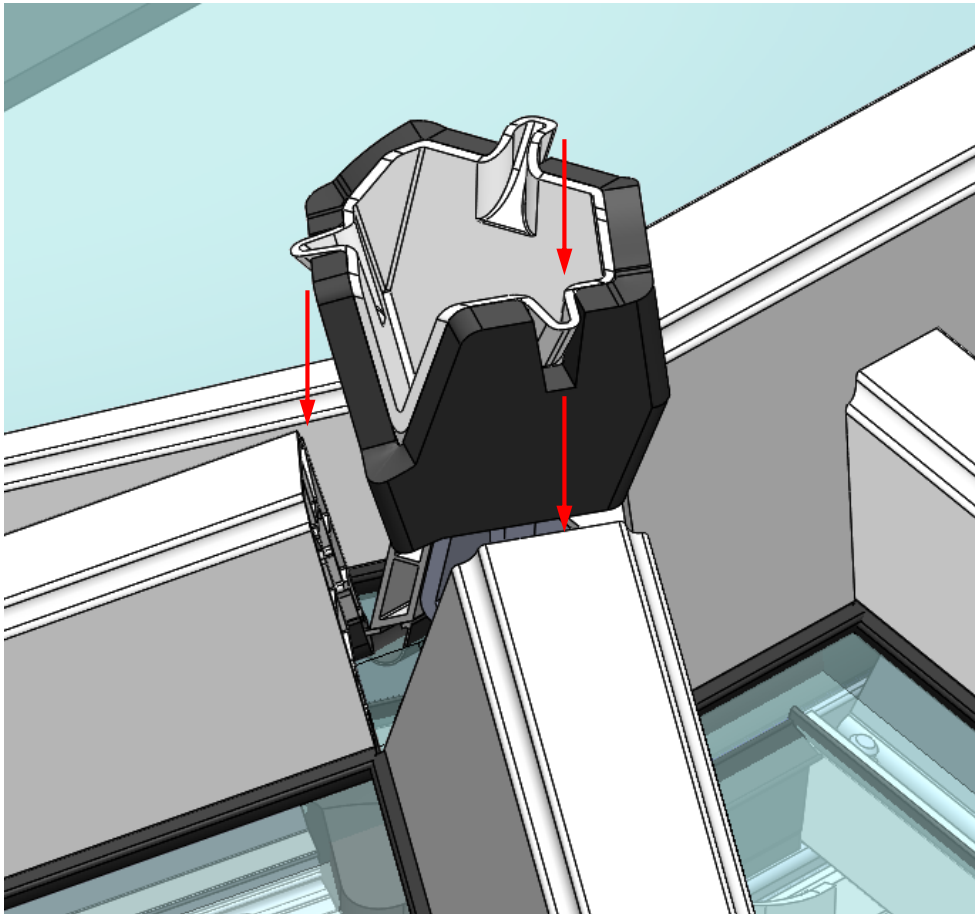
2.12 - Weather Dam Assembly



Related Components:



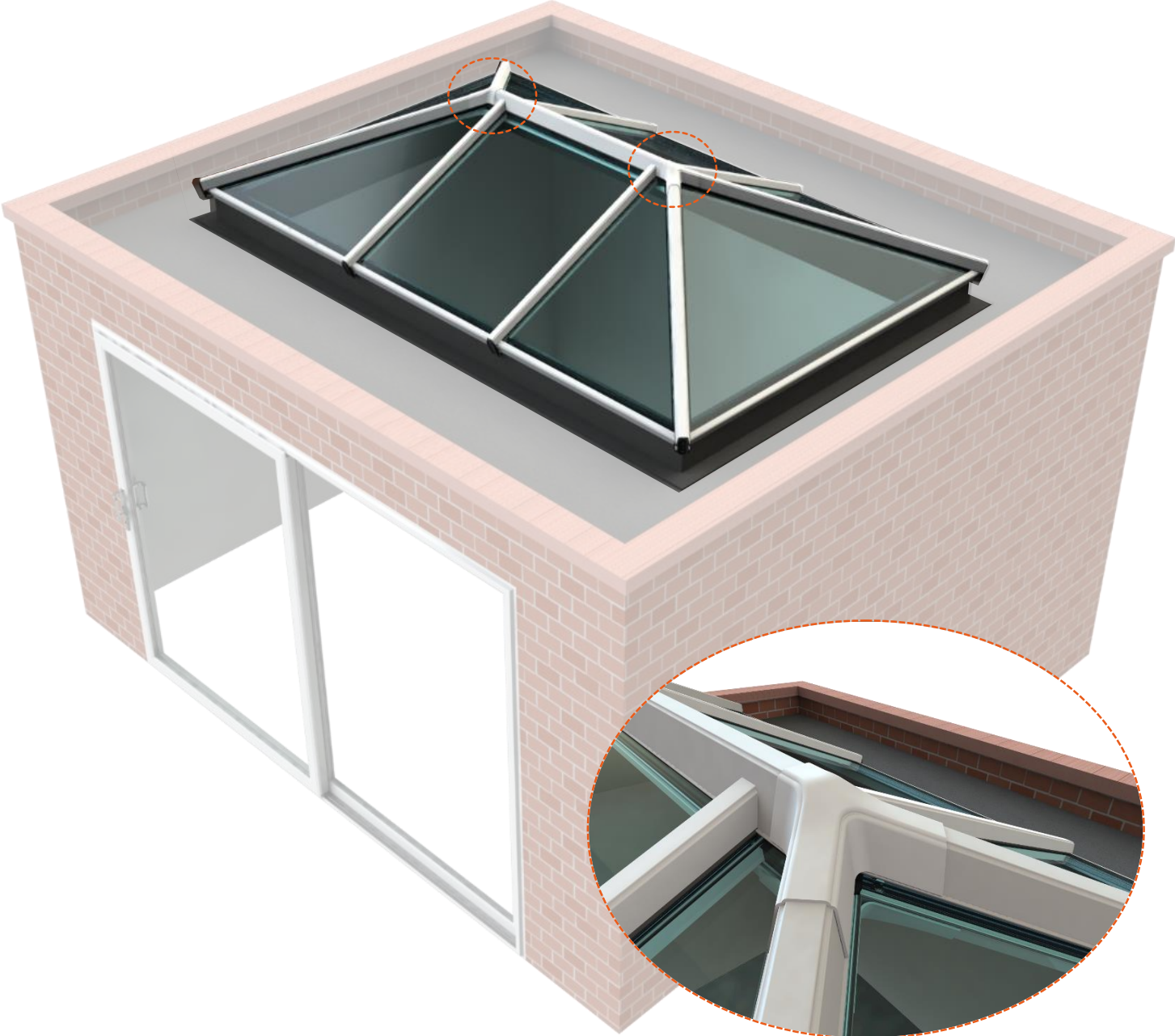
LZSU0097



Push down and clip into all three Top Caps.

Repeat this process on the other end of Ridge. There are two Weather Dams per roof.

2.13 - External End Cover Assembly

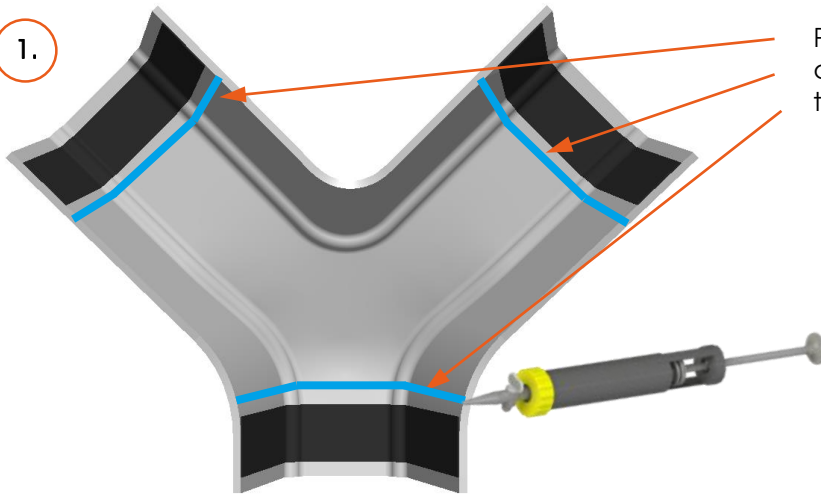


Related Components:



LZMP0077

1.

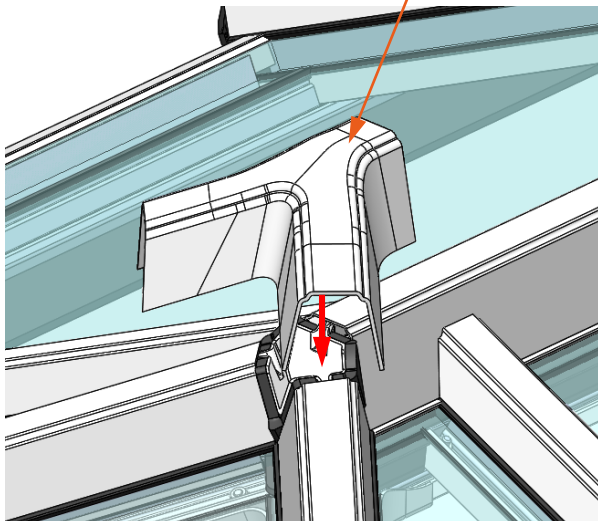


Peel off the tape backing from the External End Covers, add a line of low modulus neutral cure silicone behind the tape on all three ends.*

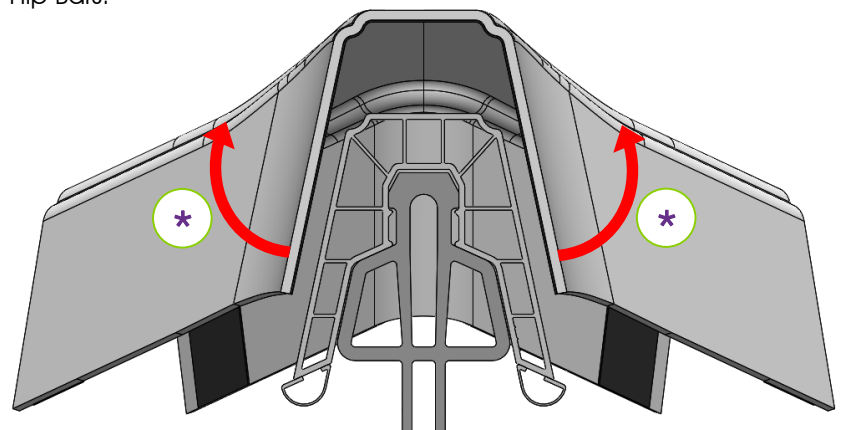
** Ensure External End Covers and Roof Bar Top Caps are clean and dry before fitting to roof.*

2.

Check covers are in the correct orientation before fitting.

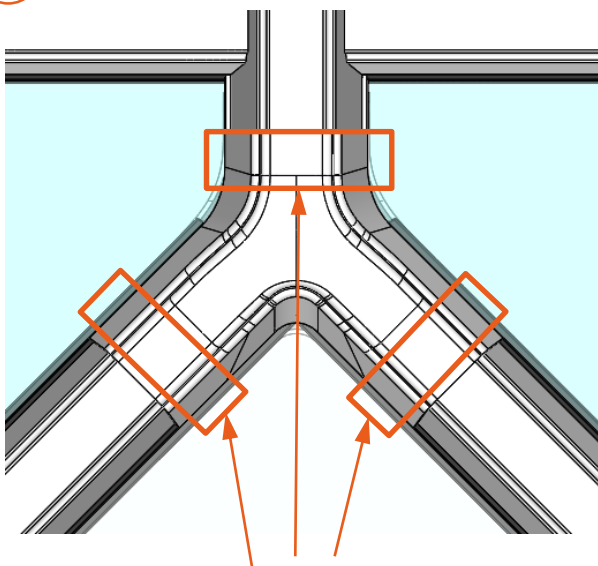


To fit the External End Covers align with the Hip Bars and Ridge starting with the section that fits over the Ridge. Pull the sides of the covers out as shown to allow the top face to make contact with the Ridge, and then stick down. Repeat this process with the sections that fit over the Hip Bars.



** Pull out the sides of the cover to allow the top face to make contact when fitting.*

3.



Apply firm pressure to adhere the tape.

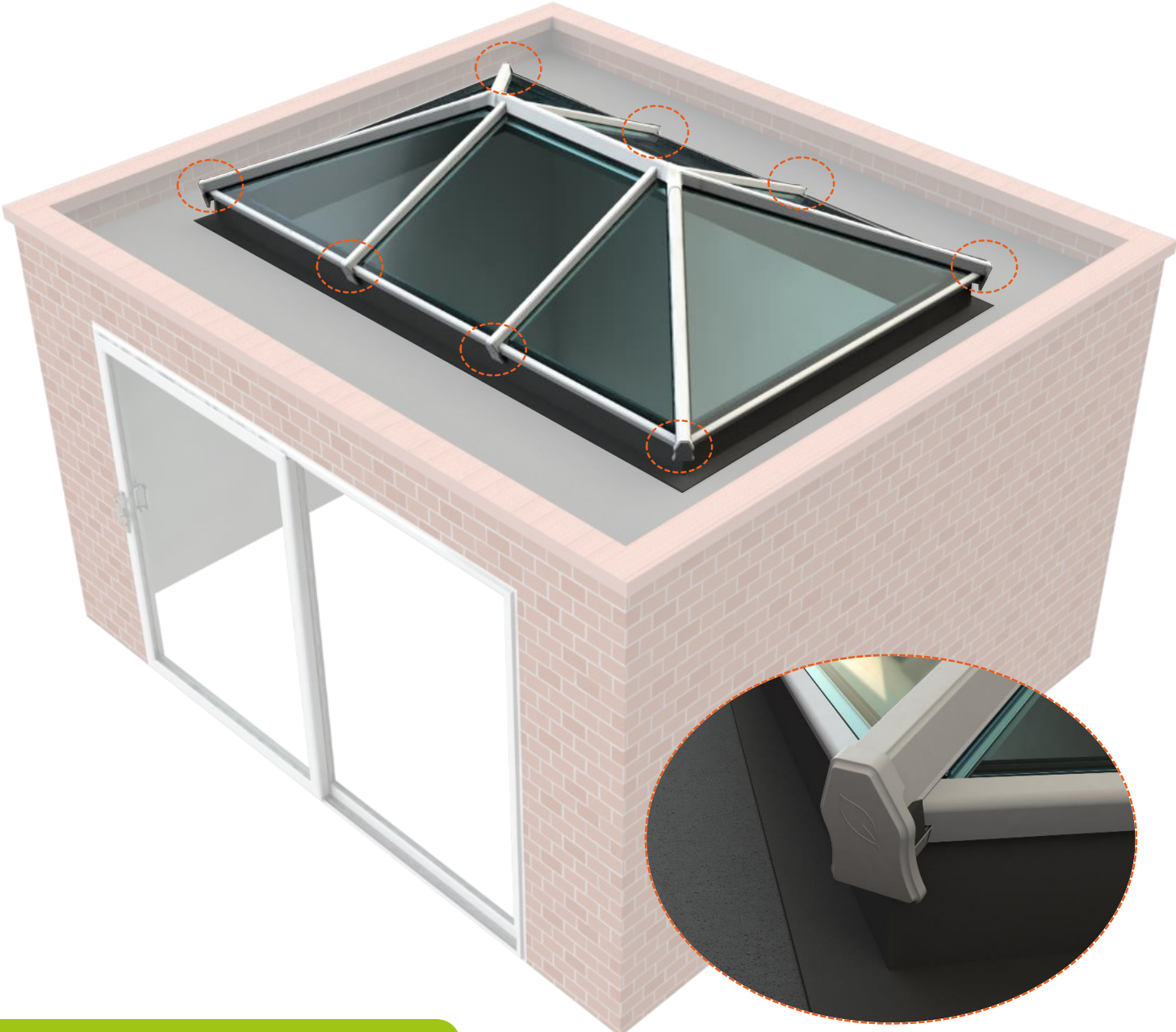
Firmly apply pressure in the areas shown, ensuring that all sides are properly adhered.

Wipe away any leaked silicone should any appear.

Repeat this process on the end of the Ridge. There are two External End Covers per roof.

2.14 - Roof Bar End Cap Assembly

The Roof Bar End Caps are installed to the bottom of each bar. Ensure the End Cap Mounting Brackets are present as the caps slide onto them.

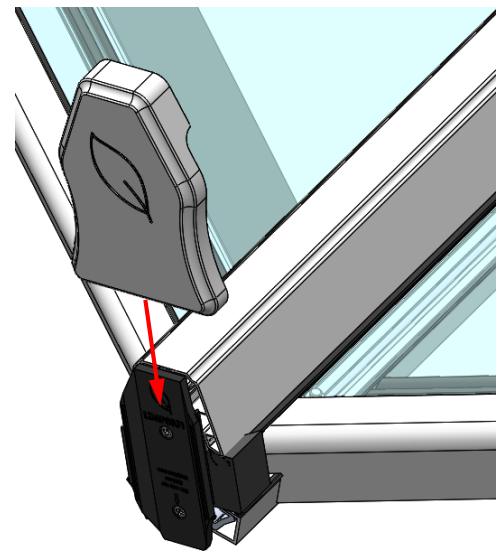
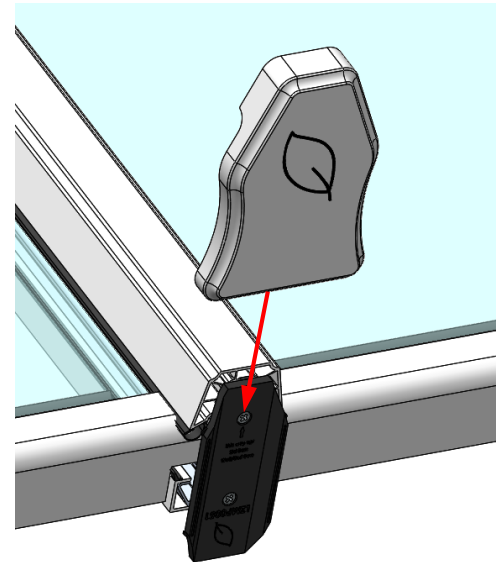
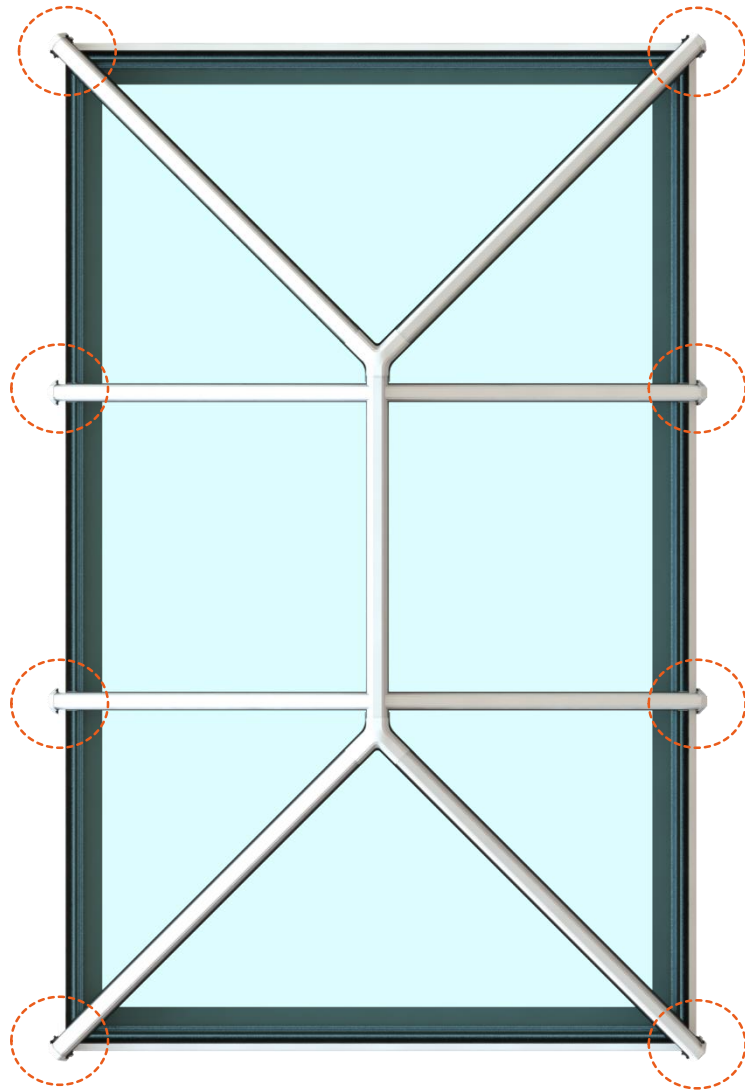


Related Components:



LZMP0052

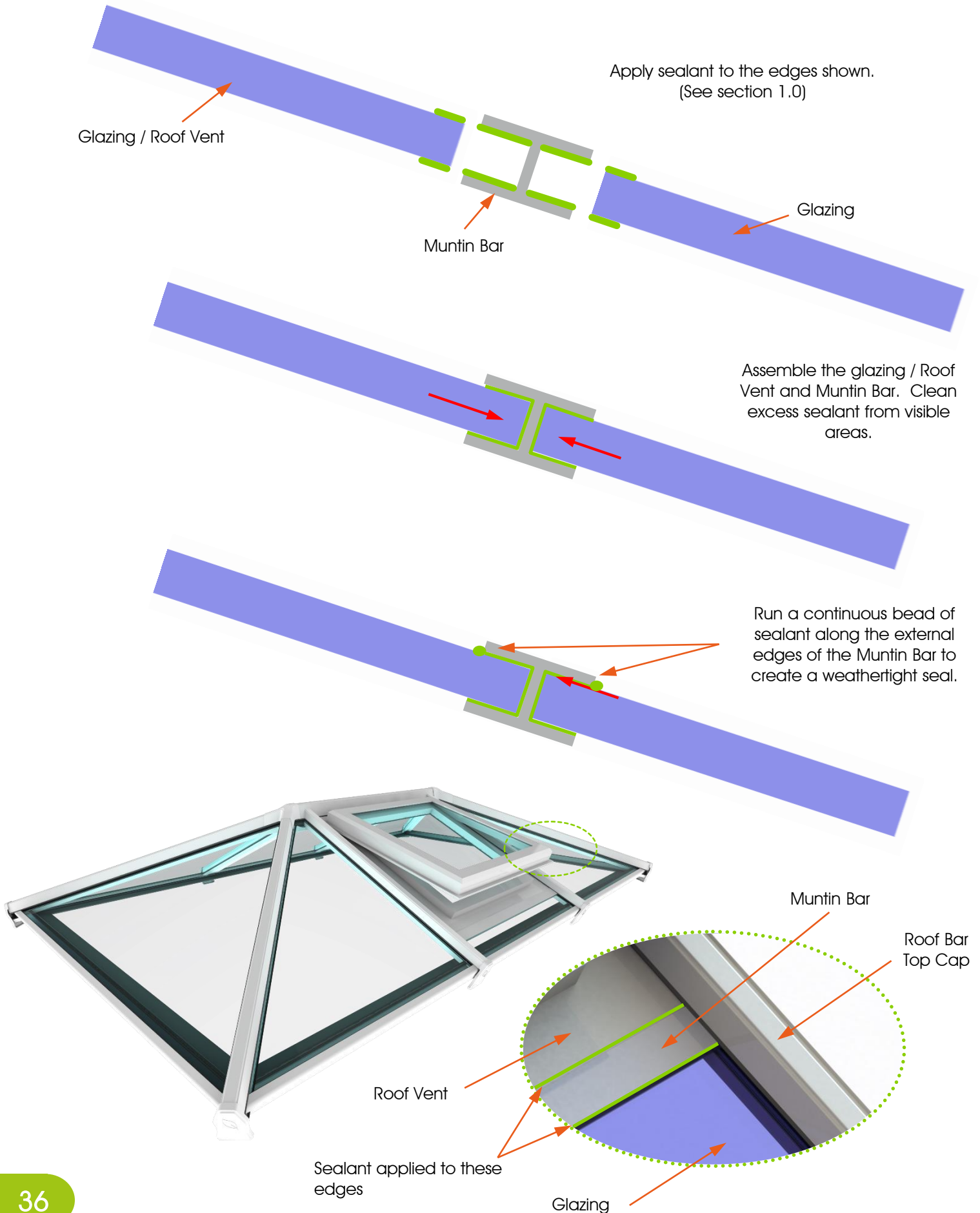
All bars use the Roof Bar End Caps. The diagrams below show the correct positioning.



2.15 - Muntin Bar and Roof Vent Assembly

To be installed during glazing.

This section details the installation of Muntin Bars and Roof Vents. For further details see the manufacturer's instructions supplied with your Roof Vent and Muntin Bar. Where a Roof Vent is fitted, there must be a glazing panel of 125mm (minimum) in height above and below the Roof Vent. This gives clearance for Roof Vent mechanical gearing.







3.0 - Installation Supplies and Installer Support

Installation Supplies

Ensure a fully matching Lantern with Liniar's range of approved installation supplies. From the highest quality foam trims to coloured silicone sealants, you can be sure of a perfect match – all covered by the Liniar guarantee.

The range includes PVCu and glass cleaners, adhesives, window boards, fixings and accessories. For full details see www.liniar.co.uk/supplies.



Installer Support

Liniar provides installers with a variety of marketing tools and resources, helping you to grow your own business alongside ours.

PDF copies of brochures, fact sheets and other literature are available to download from the Liniar website at www.liniar.co.uk/downloads. You can also order full boxes by contacting the Liniar sales office.



After-sales support is available via our Liniar Roof Maintenance Guide.

Our video library can be found on the Liniar website, featuring a range of sales and installation videos for you to use and show to customers.

Follow Liniar on social media for the latest news and updates:

Twitter	@LiniarProfiles
LinkedIn	Liniar
Facebook	LiniarUK
Pinterest	LiniarUK
Google+	LiniarUK
YouTube	LiniarUK



Liniar

Flamstead House
Denby Hall Business Park
Denby
Derbyshire DE5 8JX

Tel: +44 (0)1332 883883
Fax: +44 (0)1332 883884
Email: roofs@liniar.co.uk
www.liniar.co.uk/elevate

