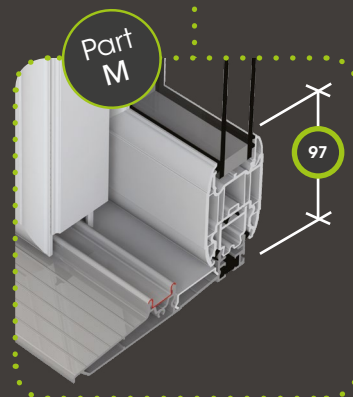
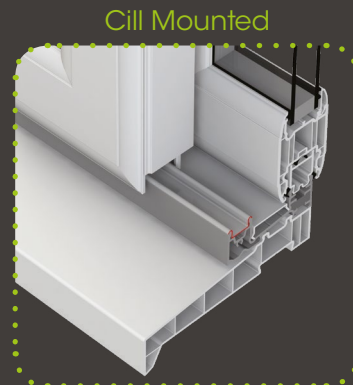
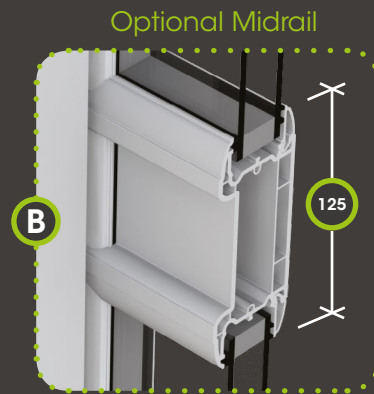
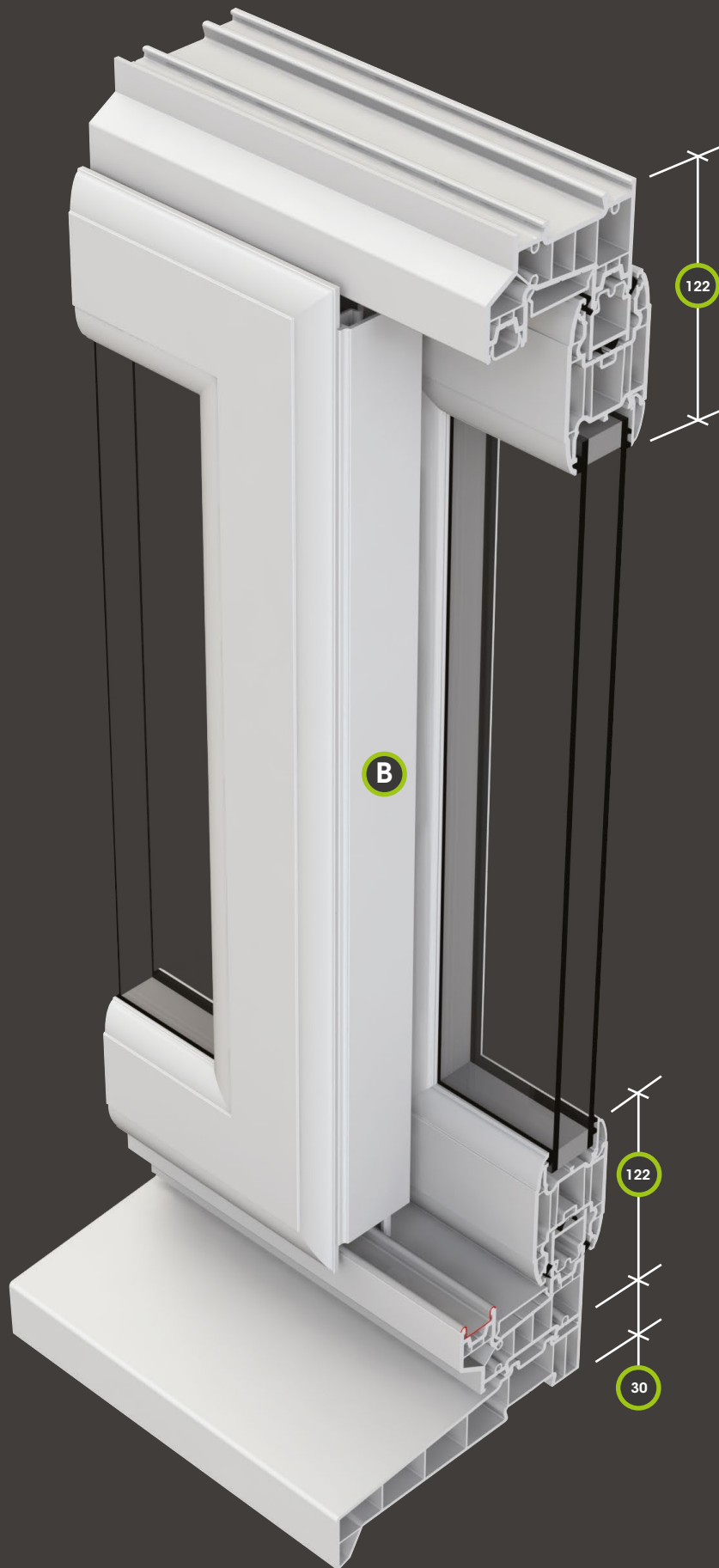


Technical information

For Liniar patio doors



Vertical Cross Section - External sliding, internally beaded



* all dimensions shown in mm

ModLok™ Patio Door



- Sculptured suite
- 28mm double or triple glazing
- Multi-chambered EnergyPlus profiles
- U-values from 1.2 (DGU) and 1.0 (TGU)
- Patented steel exoskeleton

Accreditations



BS EN 12608



ISO 9001

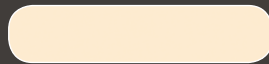


BS EN 6375

Colour Options



White or White Foil



Cream or Cream Foil



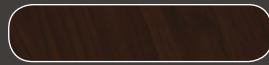
Chartwell Green



Irish Oak



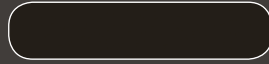
Golden Oak



Rosewood



7016 Grey

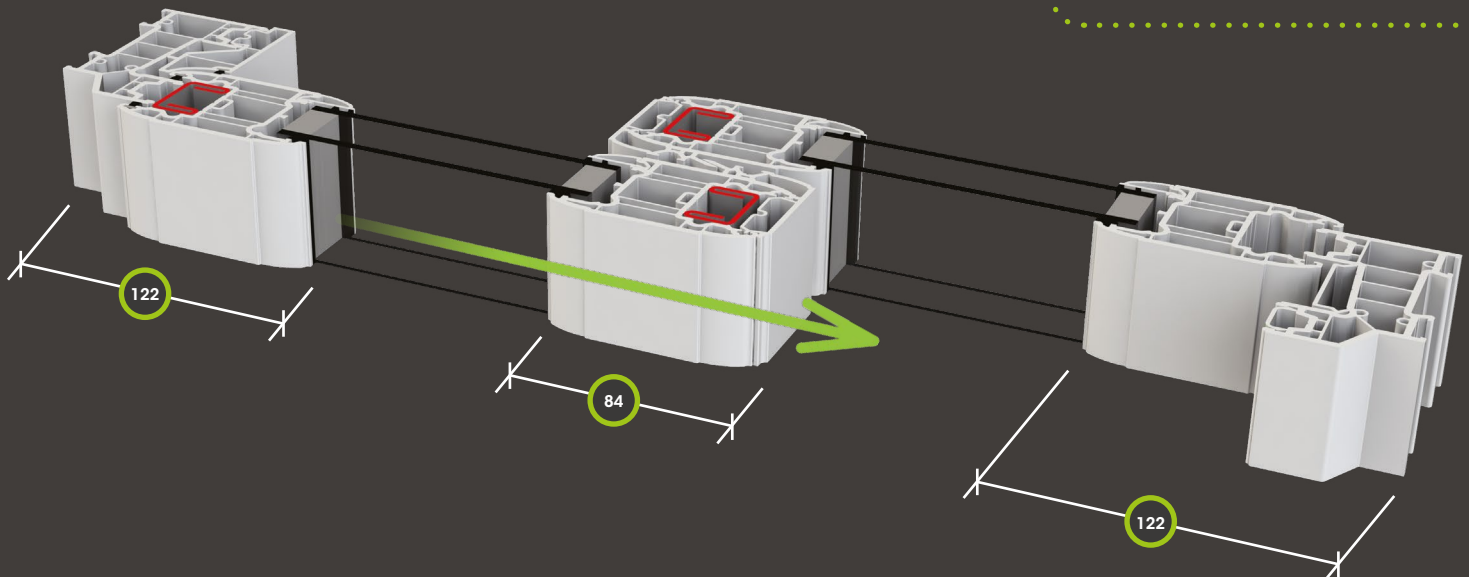


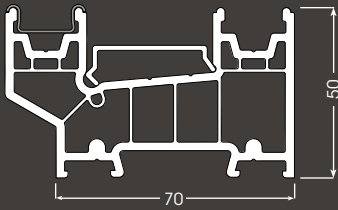
Black

Additional colours are available to order as specials.
The colours shown in this brochure give an indication only.

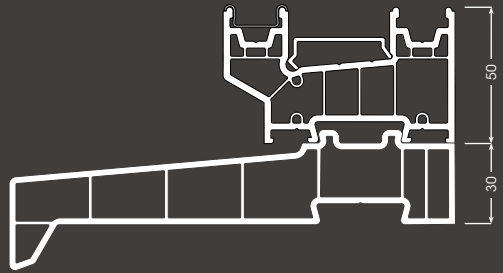
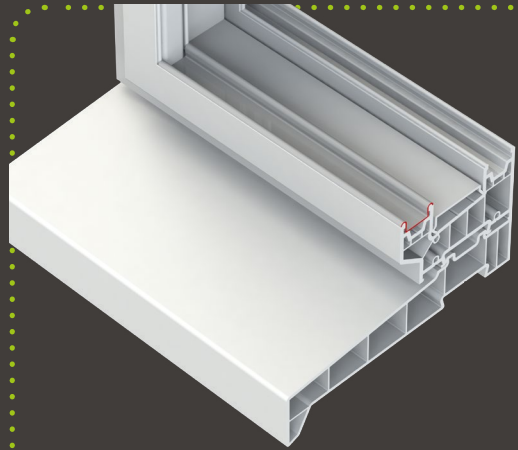


Horizontal Cross Section

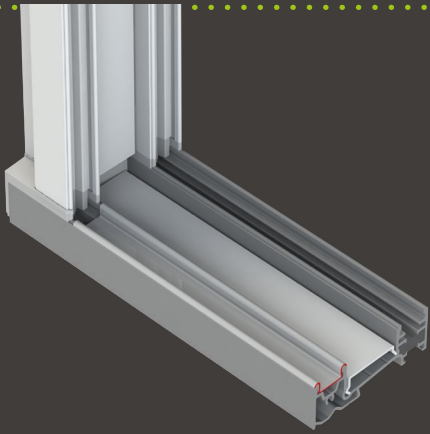




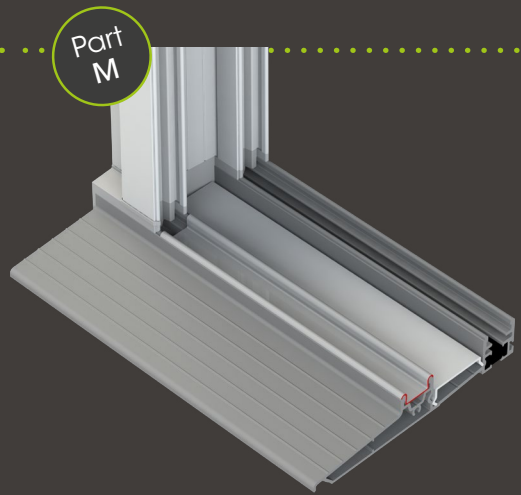
Frame Only
Threshold Height: 50mm



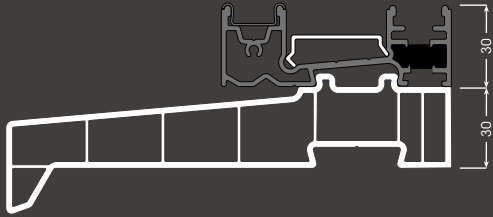
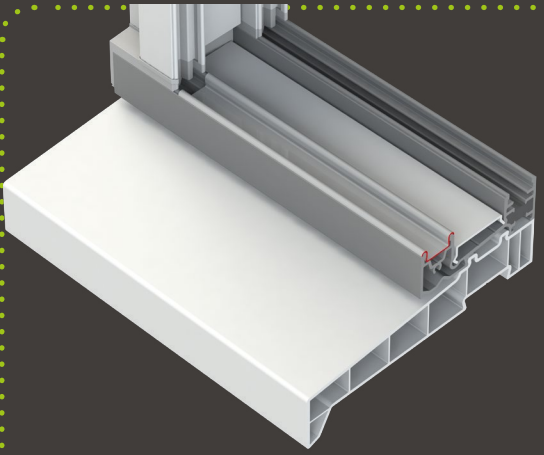
Frame and Cill
Threshold Height: 80mm (inc cill)



Low Threshold
Threshold Height: 30mm



Low Threshold with Integral Ramp
Threshold Height: 25mm



Cill Mounted Threshold
Threshold Height: 60mm



Liniar specification guide

The Liniar Specification Guide is an A4-size, 234-page, full colour guide to specifying energy efficient PVCu windows and doors.

Covering the full range of lead-free Liniar products including the patio door system, the Specification Guide includes full product charts, U-values, dimensions, accreditations, safety information and a variety of case studies.

To view an online copy of the Liniar Specification Guide and to order your free copy visit :

www.liniar.co.uk/specification-guide

Liniar

Flamstead House
Denby Hall Business Park
Denby
Derbyshire DE5 8JX

Tel: +44 (0)1332 883900
Fax: +44 (0)1332 883901
Email: sales@liniar.co.uk

www.liniar.co.uk

